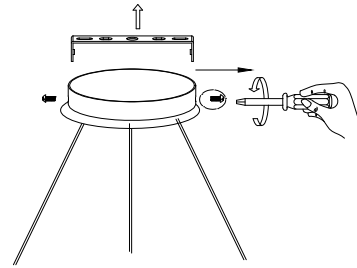
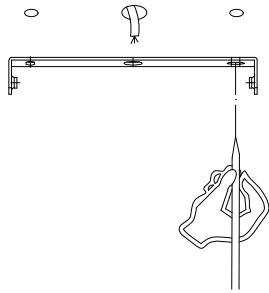


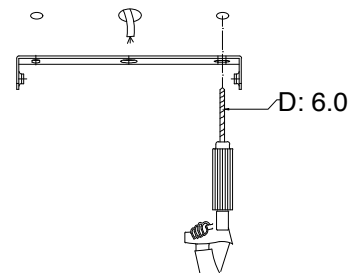
1 Turn off the general Switch



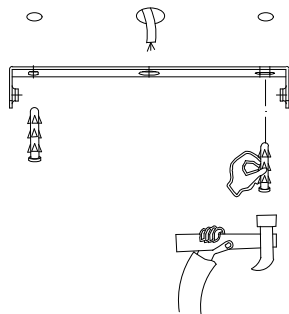
2 Untight side screws



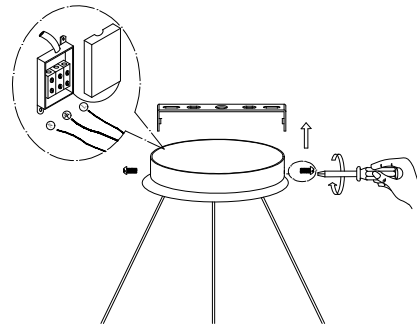
3 Align and mark



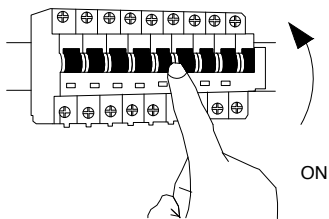
4 Drill holes



5 Apply plastic anchors and screws.



6 Connect the wires and apply the side screws



7 Turn on the general Switch

