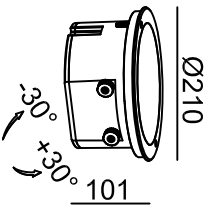
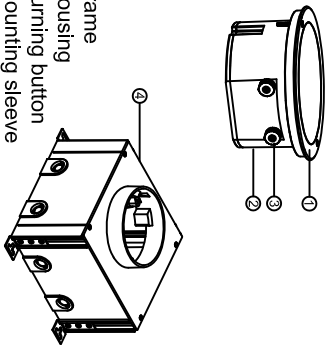
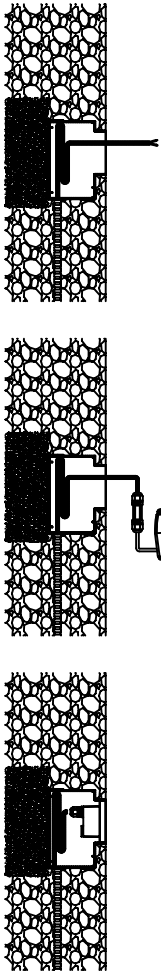


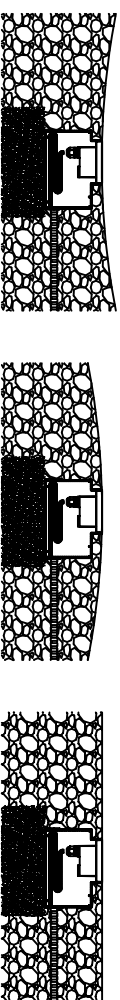
<p>Dimension</p>	<p>Main parts</p>
 <p>UNIT:mm</p>	 <ol style="list-style-type: none"> <li>1. Frame</li> <li>2. Housing</li> <li>3. Turning button</li> <li>4. Mounting sleeve</li> </ol>

## 1.FEATURES

- It is high power in-ground lighting.
- Standard of color temperature 2700-3200K.
- Input voltage: 240V AC, When you install this product,please according to the sticker information to do it.
- Please find a qualified electrician or technician to install this product.
- It is IP67,do not soak into the water.
- Available environment temperature:-20°C~+40 °C

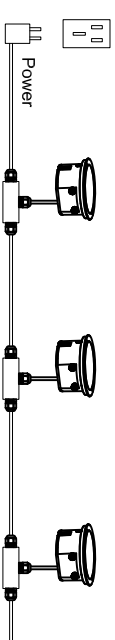
## 2.INSTALLATION

- 
- Step 1:After putting the mounting sleeve into the hole,please keep same level withthe ground,the cable need to through into mounting sleeve. Please noted that gravel height > 25cm
  - Step 2:After connecting the lamp to the power cable,please keep enough length in order to repairing.
  - Step 3:Put the lamp into the mounting sleeve.

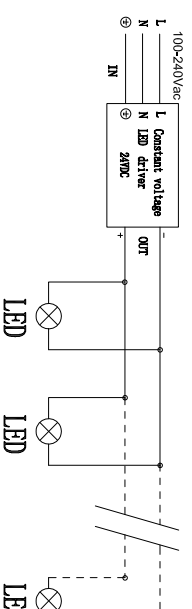


## 3.WIRING DIAGRAM

High voltage product



3.1:220V high voltage product:it needs a 220 AC output transformer,its power output voltage(constant voltage) must be consistent with the requirements of the lamp, main power supply depends on the quantity of lamp, the size of power cable diameter depends on length of the connection line.



## 4.SPECIFICATION

- Housing: 12# Alu die-cast, powder coated T=60-80um, according with ISO class 1/ASTM class 4B
- Frame: Stainless steel SUS 316L
- Glass: 8mm thickness tempered glass
- Loading capacity: Max. 783kgs
- Available environment temperature: -20°C~40 °C
- Power cable: H05RN-F 3X1.0mm<sup>2</sup>=0.5m(High voltage)
- Mounting sleeve: ABS

### Electrical parameters:

Beam angle(°)	Input Voltage(V)	Operating current(In)	Wattage(W)	IK rate
30°	220	500	18	09