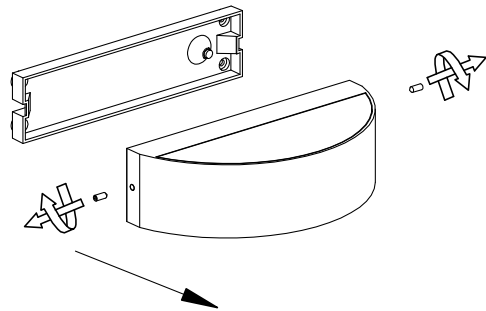
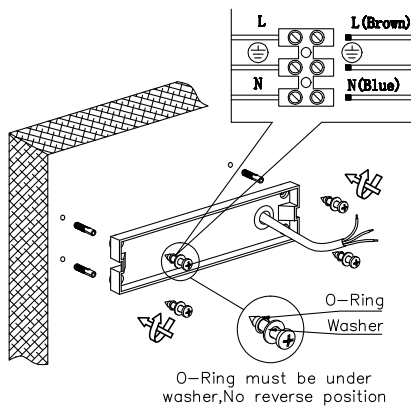


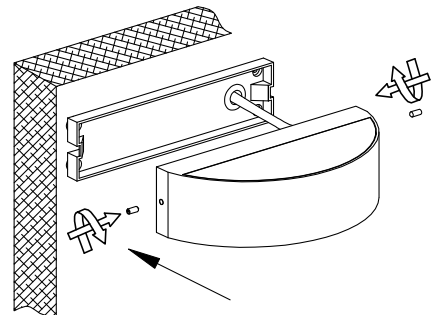
1. Turn off the general switch



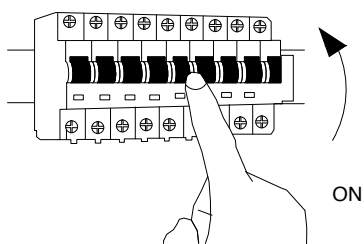
2. Untie up screws and remove lid



3. Connect wires, apply screws & connect wires



4. Apply side screws



5. Turn on the general switch

