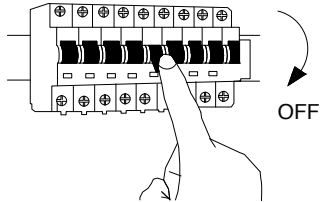


NOVA LUCE

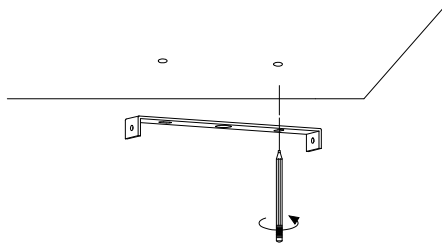
9130654

①



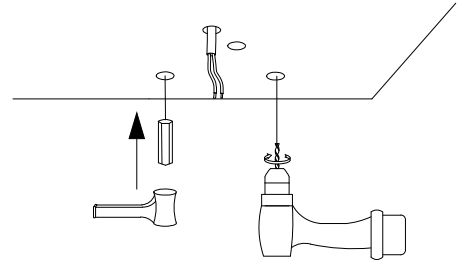
Turn off the general switch

②



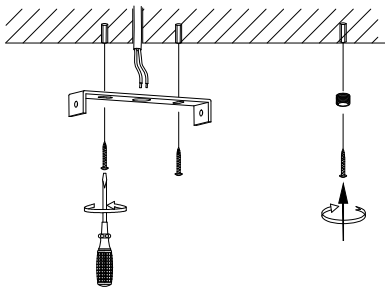
Mark where to drill holes

③



Make holes & apply anchors

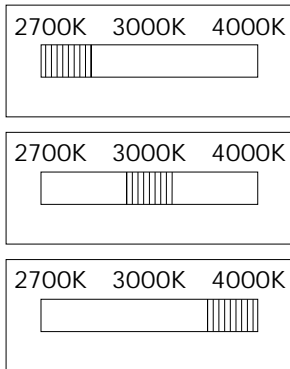
④



Tie up the screws to make it stable

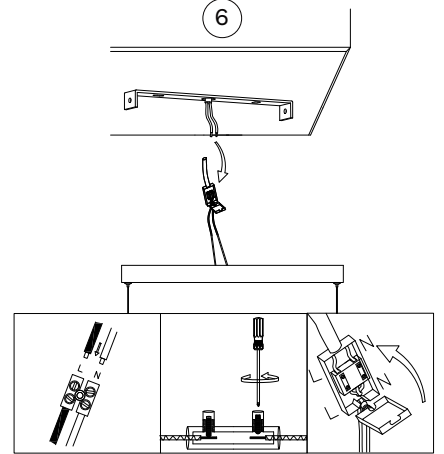
⑤

CCT switch in canopy



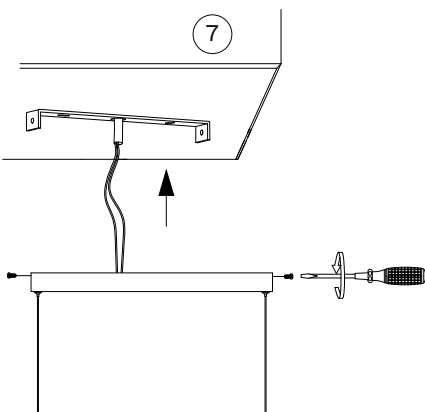
Choose the color temperature

⑥



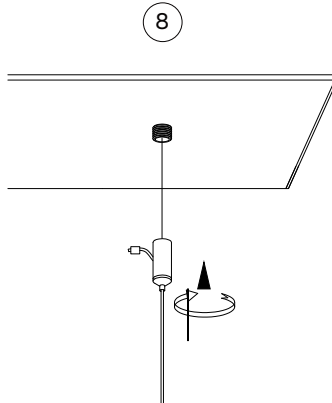
Connect the wires

⑦



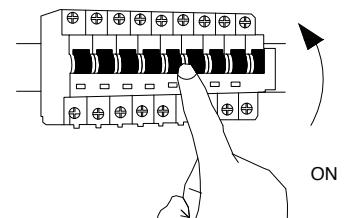
Put it in place & Apply side screws

⑧



Rotate the pole in

⑨



Turn on the general switch



NOVA LUCE

9130654

