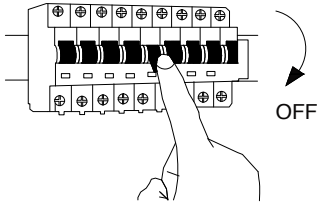


# NOVA LUCE

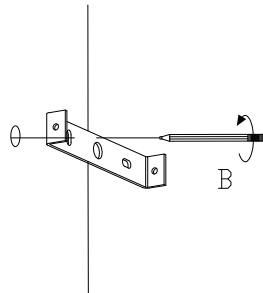
9267019 9267022

1



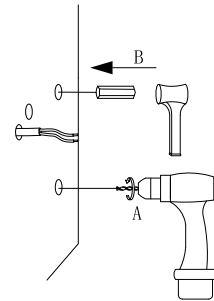
Turn off the general switch

2



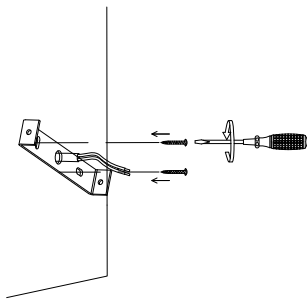
Mark where to drill holes

3



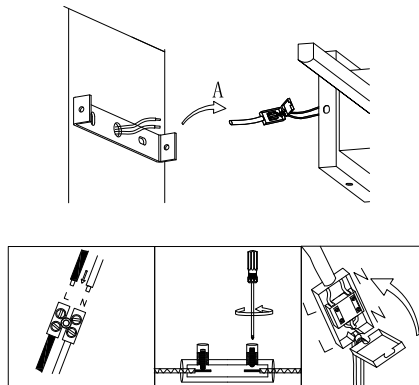
Make holes & apply anchors

4



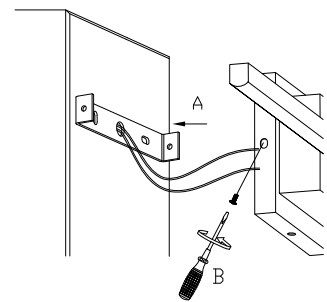
Tie up the screws  
To make it stable

5



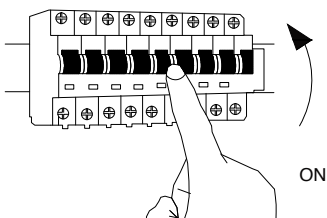
Connect the wires

6



Apply side screws

7



Turn on general switch

