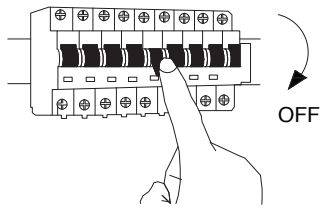


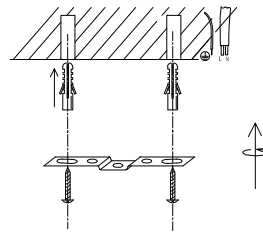
# NOVA LUCE

9586509

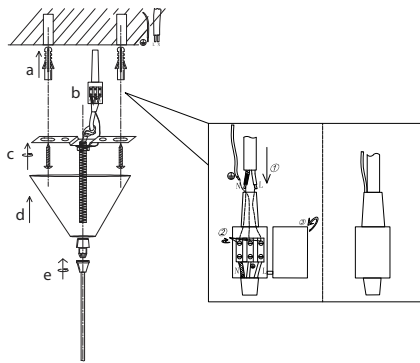
⌄ x2 ⌄ x2



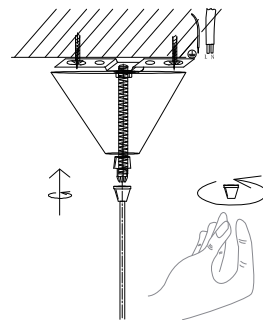
1. Turn off the general switch



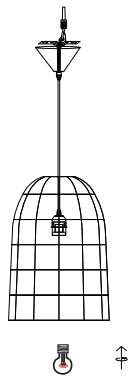
2. Drill holes, apply plastic anchors & screws



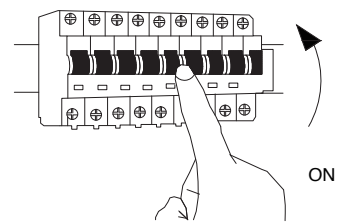
3. Connect the wires



4. Apply the cap by rotating



5. Insert the bulb by rotating



6. Turn on the general switch

