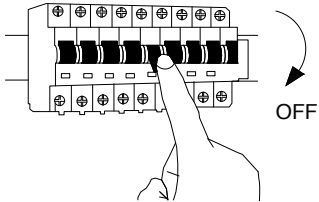


# NOVA LUCE

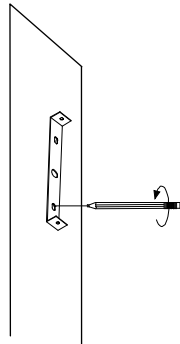
9190719,9190720,9190721

1



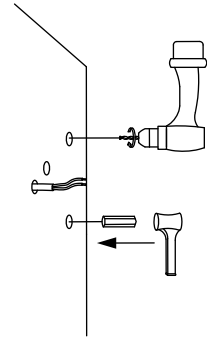
Turn off the general switch

2



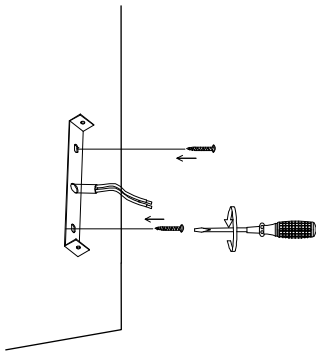
Mark where to drill holes

3



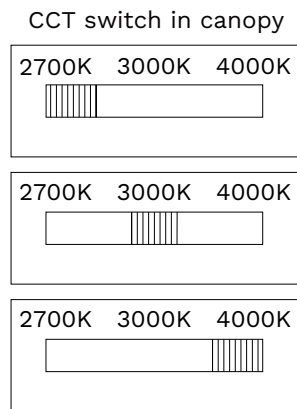
Apply plastic anchors

4



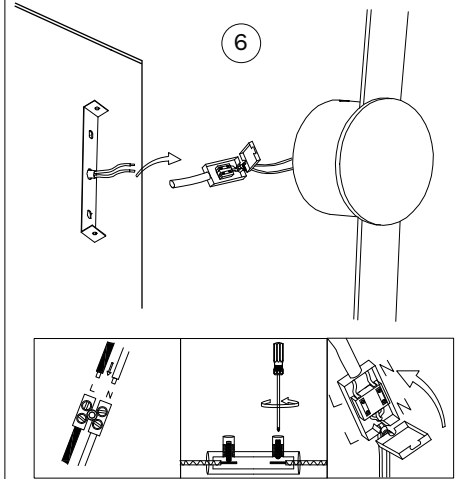
Apply screws

5



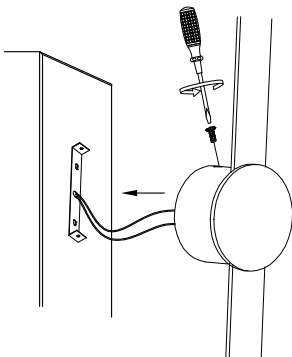
Choose the color temperature

6



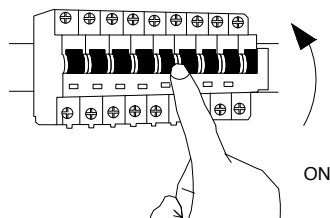
Connect the wires

7



Apply side screws

8



Turn on the general switch

