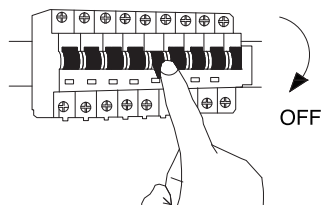
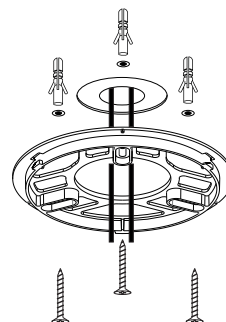


NOVA LUCE

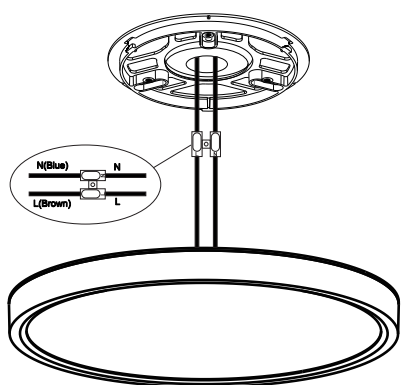
9060186/9060187/9060188/
9060189/9060190/9060191



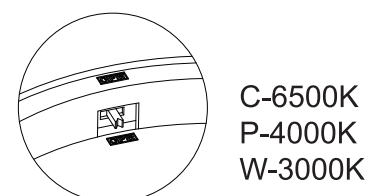
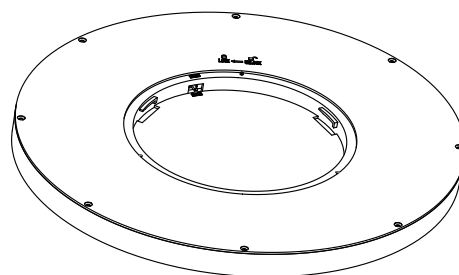
1. Turn off the general switch



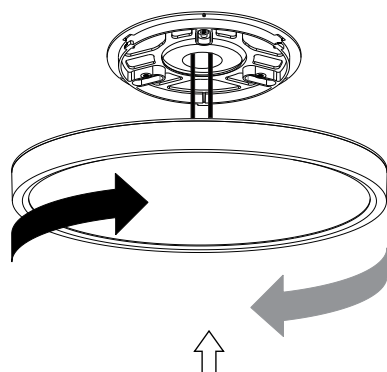
2. Mark the area, apply plastic anchors & screws.



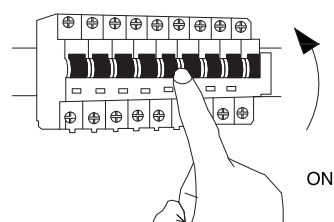
3. Connect the wires.



4. Adjust the colour temperature.



5. Rotate the lamp body to the mounting base.



6. Turn on the general switch