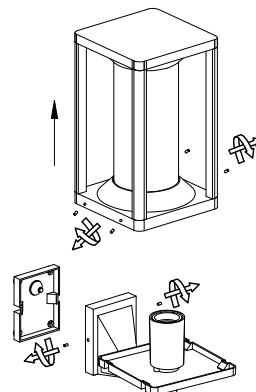
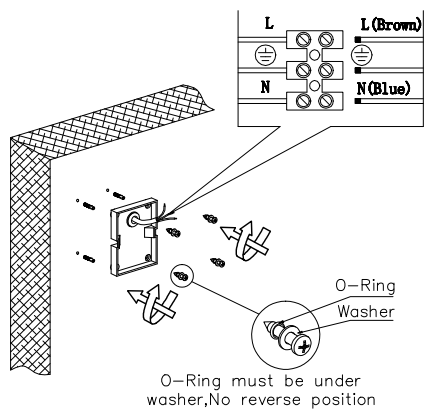


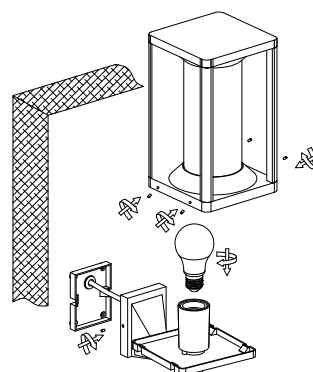
1. Turn off the general switch



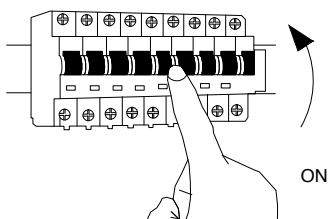
2. Untie side crews & remove lid



3. Install cable & tie up screws to make it stable



4. Insert bulb & apply the lid by tiding up the side screws



5. Turn on the general switch

