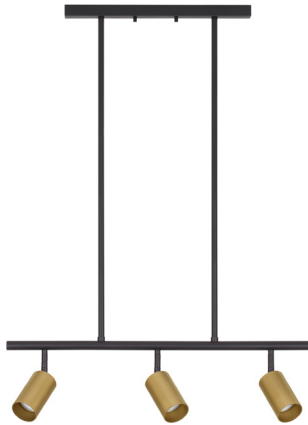


# NOVA LUCE

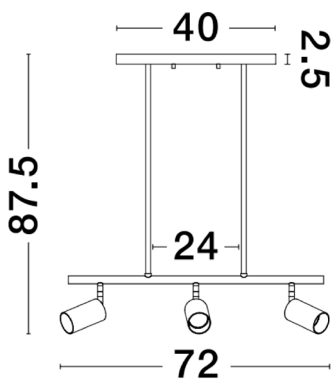
## PRODUCT DATASHEET

Version: 001

### PRODUCT PHOTOGRAPH



### TECHNICAL DRAWING



### GENERAL INFORMATION

|                         |            |
|-------------------------|------------|
| Product Code            | 9111458    |
| Collection              | Decorative |
| Product Category        | Suspension |
| Product Family          | Pogno      |
| Mounting Location       | Ceiling    |
| Application Environment | Indoor     |

### DIMENSION & WEIGHT

|              |               |
|--------------|---------------|
| LxWxH (cm)   | D: 72 H: 87,5 |
| Cut out (cm) | N/A           |
| Weight (Kgr) | 1.6           |

### MATERIAL & COLOR

|               |              |
|---------------|--------------|
| Product Color | Black & Gold |
| Body Material | Aluminium    |

### APPLICATION & MOUNTING

|                            |                     |
|----------------------------|---------------------|
| Ambient Working Temp.      | Max 45 oC           |
| Type of Protection         | IP20                |
| Dimmable                   | Depends on the lamp |
| Type of Dimming (Optional) | N/A                 |
| Mounting type              | Ceiling             |
| Mounting Depth (cm)        | N/A                 |
| Led Module Replaceable     | Yes                 |
| Light Source               | LED GU10            |

NOVA LUCE S.A

Schimatari Viotias  
32009, Greece

+30 22620 58 121  
+30 22620 56 743

info@novaluce.com  
www.novaluce.com



# NOVA LUCE

## PRODUCT DATASHEET

Version: 001

### ELECTRICAL DATA

|                         |                            |
|-------------------------|----------------------------|
| Power (Nominal)         | <b>Depends on the lamp</b> |
| Input voltage (Nominal) | <b>220-240Vac</b>          |
| Mains Frequency         | <b>50/60Hz</b>             |

### PHOTOMETRICAL DATA

|                           |                            |
|---------------------------|----------------------------|
| Luminous Flux             | <b>Depends on the lamp</b> |
| Color Temperature         | <b>Depends on the lamp</b> |
| Light Color (Designation) | <b>N/A</b>                 |

### WARRANTY

|          |                |
|----------|----------------|
| Warranty | <b>3 Years</b> |
|----------|----------------|

### CERTIFICATES

|              |                |
|--------------|----------------|
| Certificates | <b>CE,UKCA</b> |
|--------------|----------------|

