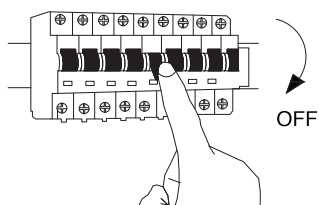
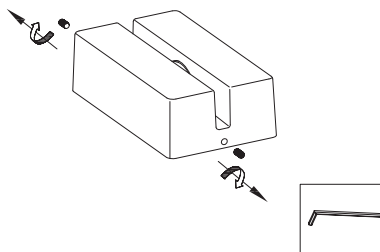


1



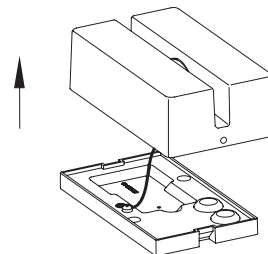
Turn off the general switch

2



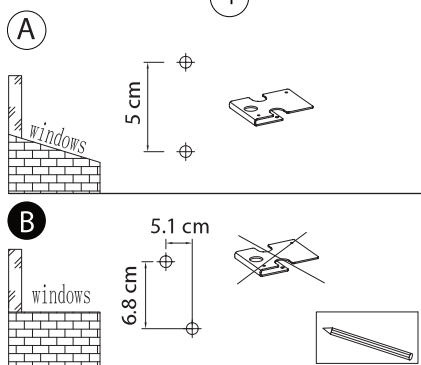
Dismantle parts by untying screws

3



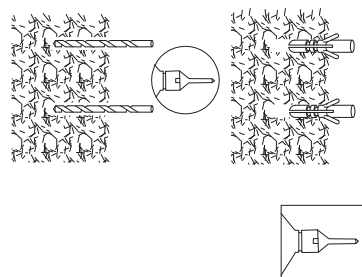
Remove the cap

4



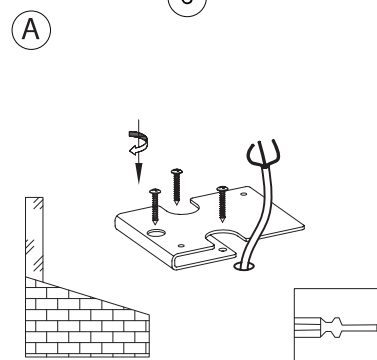
Mark holes

5



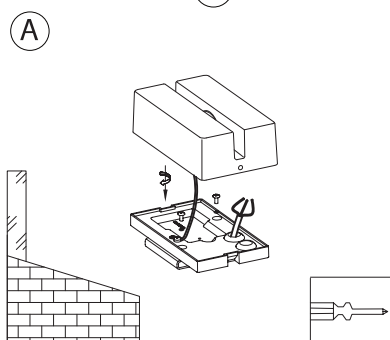
Drill holes & apply plastic anchors

6



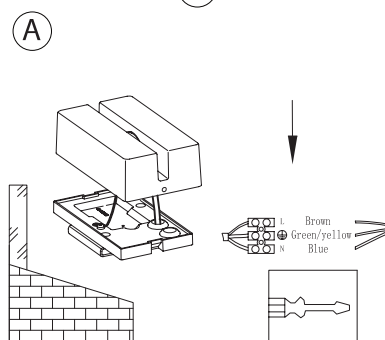
Tie up screws to fix it in place

7



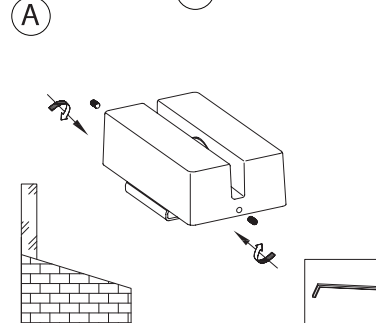
Apply the back plate by tying up screws

8



Connect wires

9



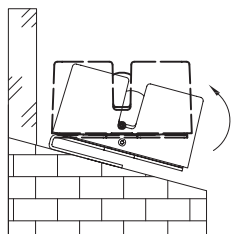
Tie up side screws to make it stable



# NOVA LUCE

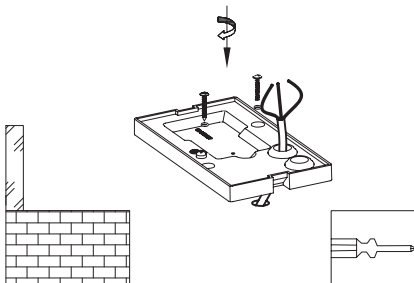
9136450 9136451

(A) 10



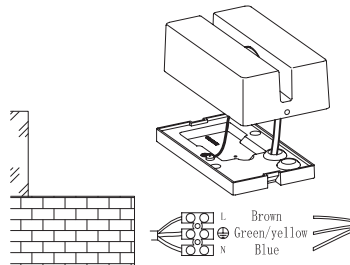
Make adjustments

(B) 6



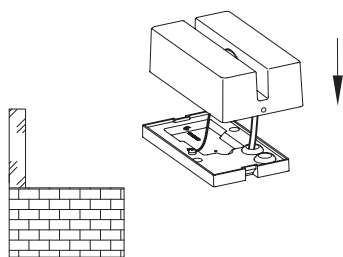
Tie up screws

(B) 7



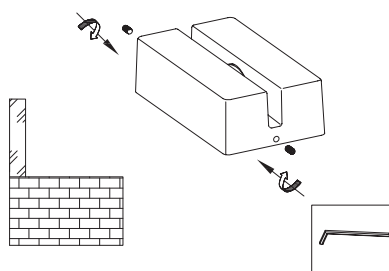
Connect wires

(B) 8



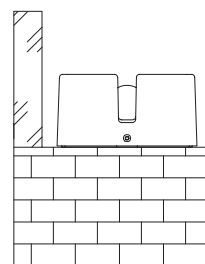
Fix the cap into place

(B) 9



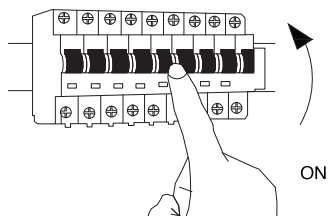
Tie up side screws to make it stable

(B) 10



No adjustments needed

11



Turn on the general switch

