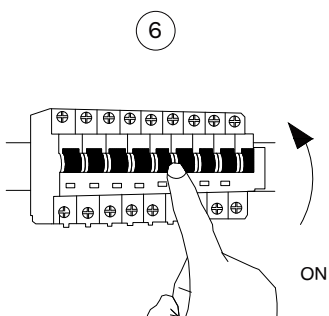
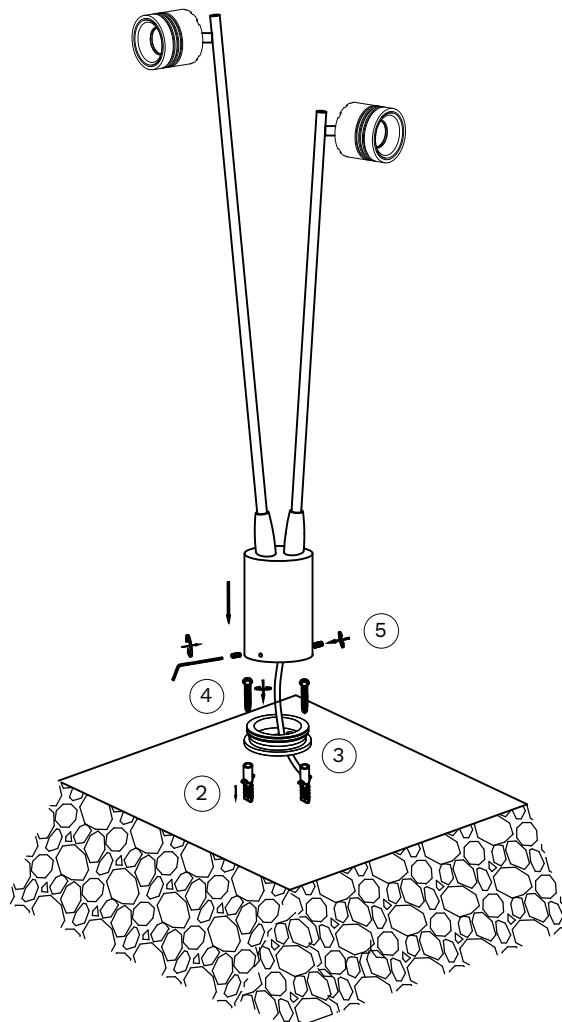


Turn off the general switch



Turn on the general switch



1. Turn off general switch
2. Drill holes & apply plastic anchors
3. Connect the wires
4. Make it stable by tying up screws
5. Tie up side screw to fix it in place
6. Turn on the general switch

