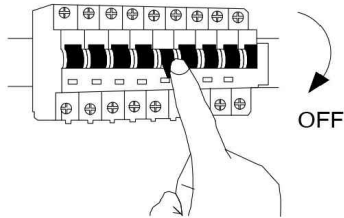


NOVA LUCE

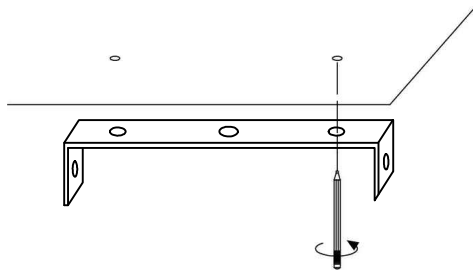
9190212

1



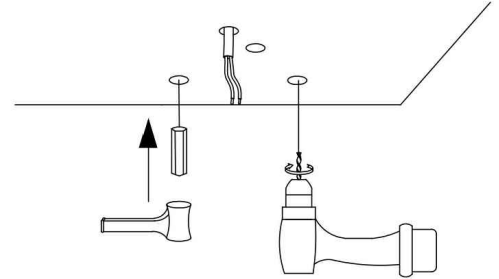
Turn off the general switch

2



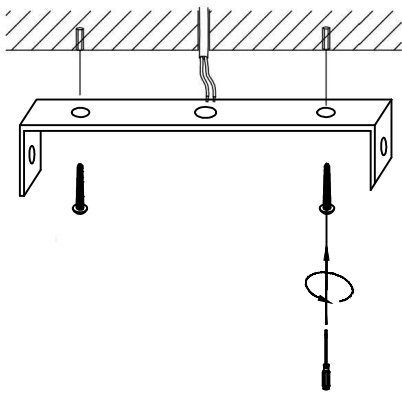
Mark where to drill holes

3



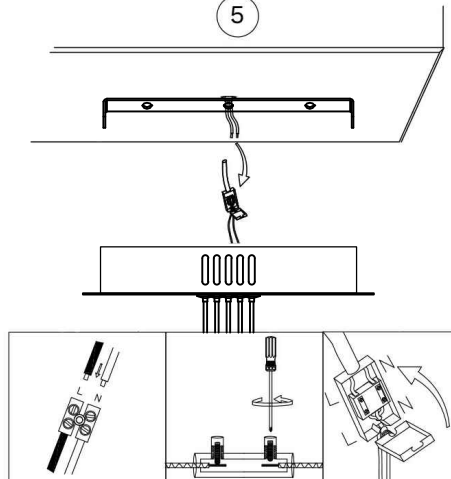
Make holes & apply anchors

4



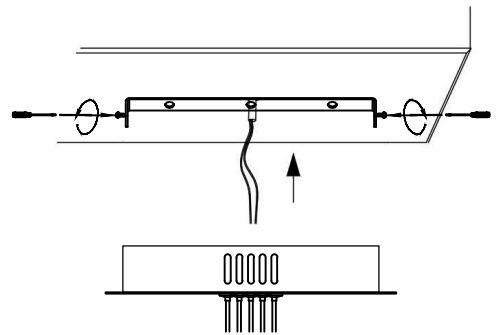
Tie up the screws
to make it stable

5



Connect the wires

6



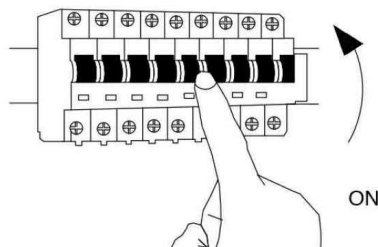
Put the canopy in place
& Apply screws

7



Put the glass cover on
the aluminum parts

8



Turn on the general switch

9

