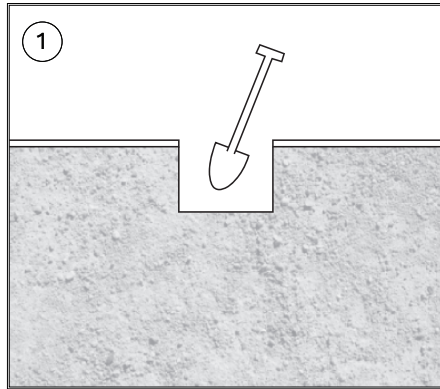


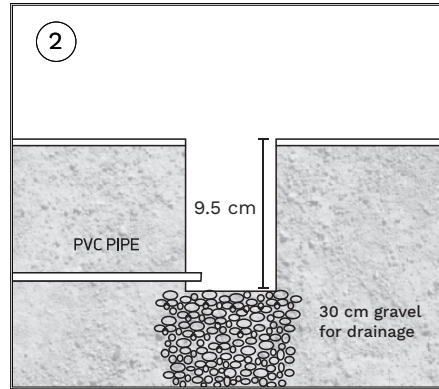
- A. The installation must be done by competent electricians.
- B. Please don't install the lighting in easily damaged, deformed, unsteady ceilings
- C. Make sure the power has been switched off before installation, bulb change or clearing the lamp
- D. Make sure there is no component loose



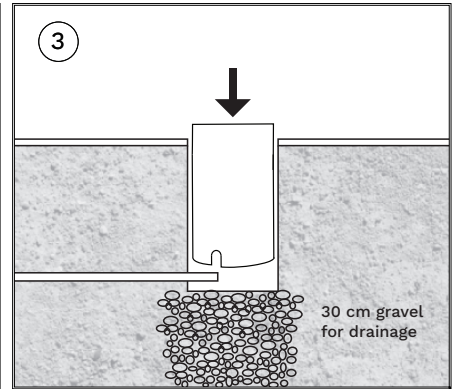
CONCRETE INSTALLATION



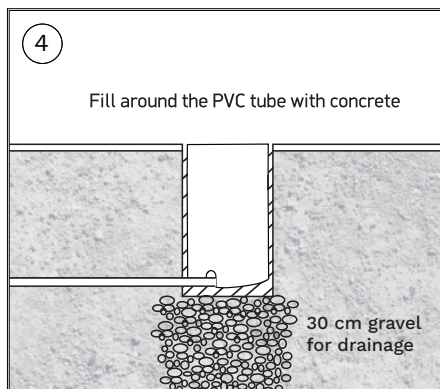
1 Make a hole



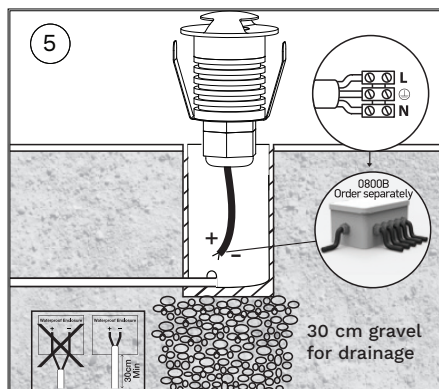
2 Prepare for installation by applying 30 cm layer of gravel for drainage



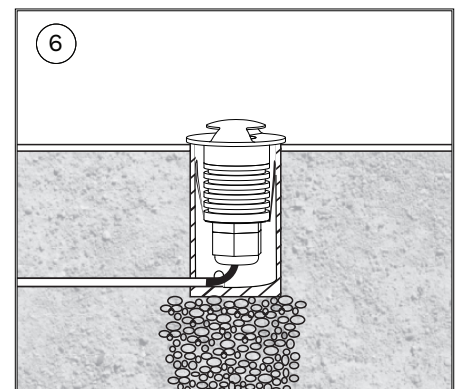
3 Install the PVC tuber into position



4 Fill around the PVC tube with concrete

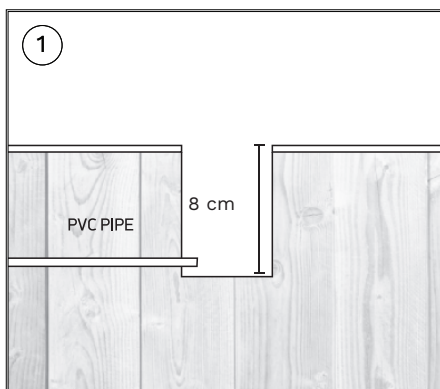


5 Connect wires

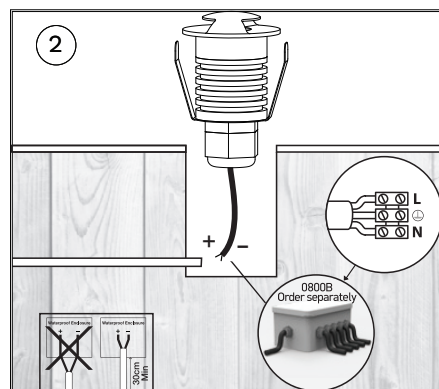


6 Fix it into place

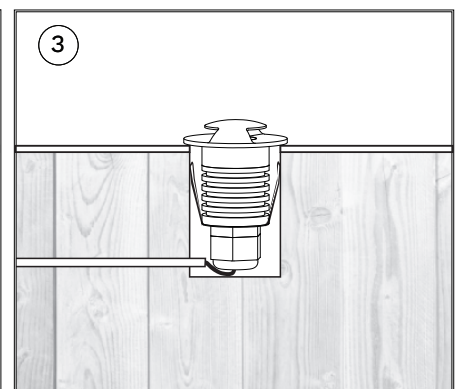
DECKING INSTALLATION



1 Create a CutOut



2 Connect wires



3 Fix it into place

