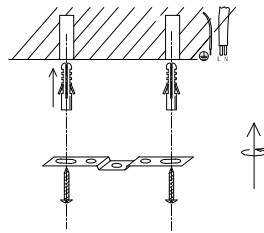
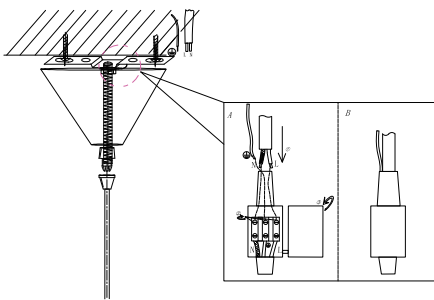


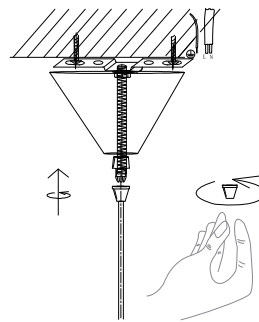
1. Turn off the general switch



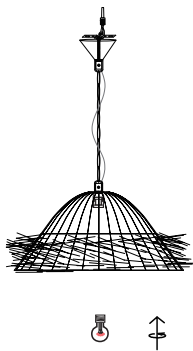
2. Drill Holes, Apply Plastic Anchors & Screws



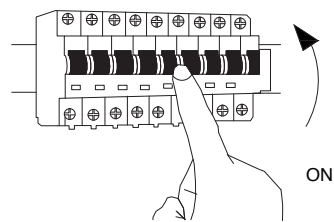
3. Connect The Wires



4. By Rotating Apply the cap



5. Screw The Bulb



6. Turn on the general switch

