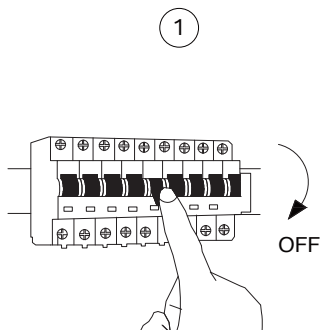
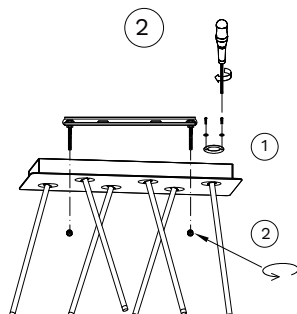


# NOVA LUCE

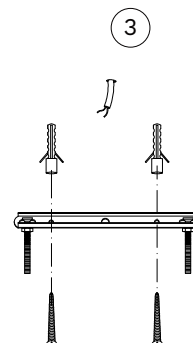
9232155



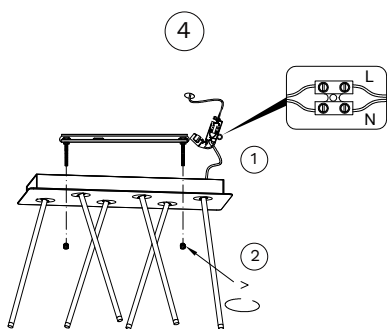
Turn off the general switch



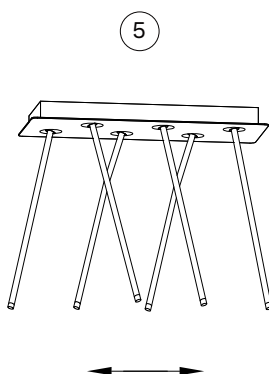
Unscrew the screws from the rosette and take out the bracket.



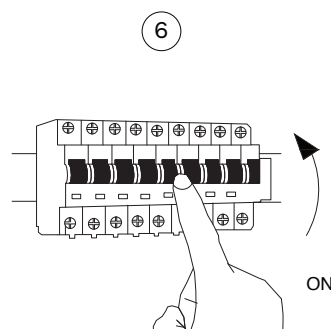
Apply plastic anchors & Apply the screws



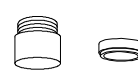
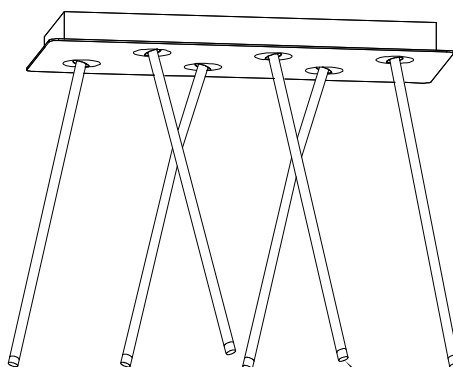
Connect the 3 wires.  
Place the brackets and apply the side screws.



Rotate to the angle you like.



Turn on the general switch



2 options