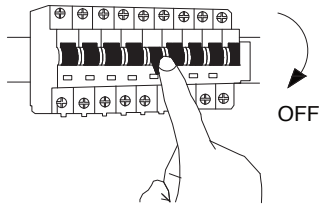


# NOVA LUCE

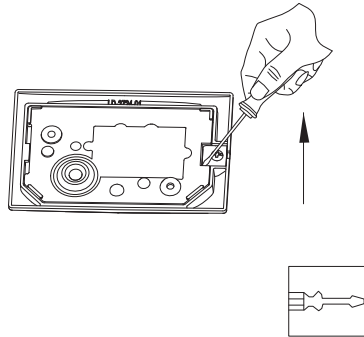
9136416 9136417 9136418

1



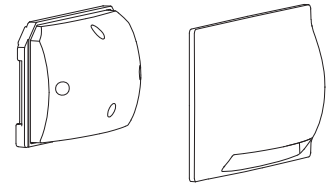
Turn off the general switch

2



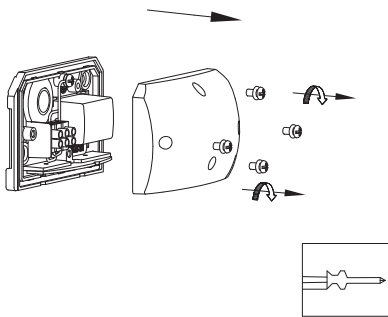
Pry open the cap with tool

3



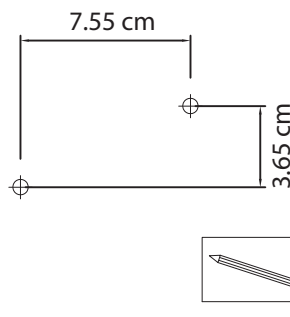
Remove the cap

4



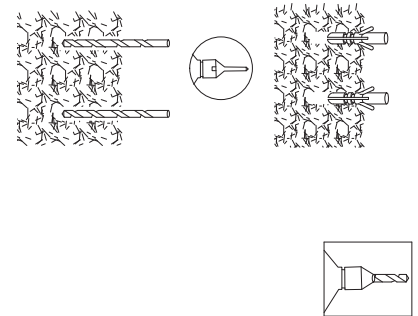
Untie the screws

5



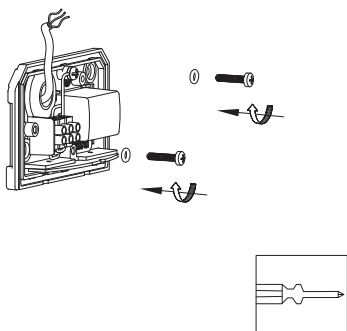
Mark holes

6



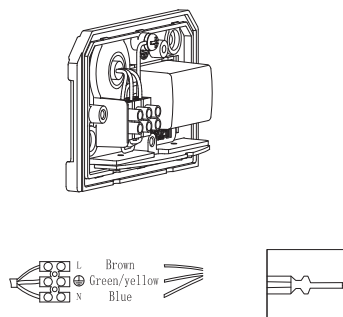
Drill holes & apply plastic anchors

7



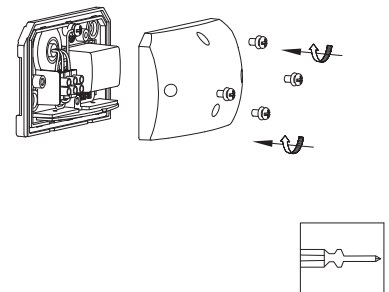
Assemble parts by tying up the screws

8



Connect wires

9



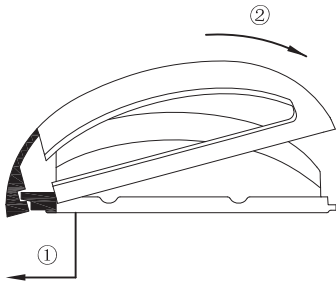
Tie up screws



# NOVA LUCE

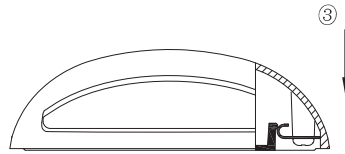
9136416 9136417 9136418

10



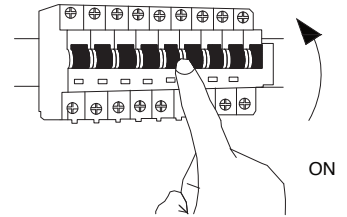
Apply the cap  
by clicking it into place

11



Make it stable by securing it

12



Turn on the general switch

