

NOVA LUCE

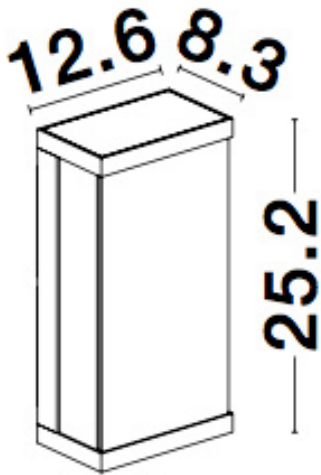
PRODUCT DATASHEET

Version: 001

PRODUCT PHOTOGRAPH



TECHNICAL DRAWING



GENERAL INFORMATION

Product Code	9120711
Collection	Outdoor
Product Category	Wall
Product Family	BAY
Mounting Location	Wall
Application Environment	Outdoor

DIMENSION & WEIGHT

LxWxH (cm)	L: 13 W: 8,3 H: 25,2
Cut out (cm)	N/A
Weight (Kgr)	1.2

MATERIAL & COLOR

Product Color	Anthracite
Body Material	Die-Casting Aluminium & Clear Glass

APPLICATION & MOUNTING

Ambient Working Temp.	Max 40 oC
Type of Protection	IP65
Dimmable	Yes
Type of Dimming (Optional)	Triac
Mounting type	Surface
Mounting Depth (cm)	N/A
Led Module Replaceable	No
Light Source	LED

NOVA LUCE S.A

Schimatari Viotias
32009, Greece

+30 22620 58 121
+30 22620 56 743

info@novaluce.com
www.novaluce.com



NOVA LUCE

PRODUCT DATASHEET

Version: 001

ELECTRICAL DATA

Power (Nominal)	1,5W
Input voltage (Nominal)	3Vdc
Mains Frequency	50/60Hz

PHOTOMETRICAL DATA

Luminous Flux	82 lm
Color Temperature	3000K
Light Color (Designation)	Warm White

WARRANTY

Warranty	3 Years
----------	----------------

CERTIFICATES

Certificates	CE,UKCA
--------------	----------------

