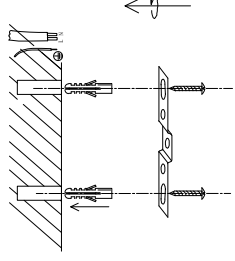
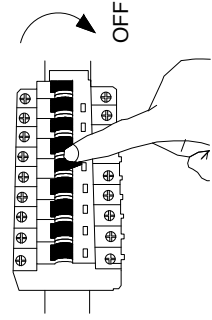


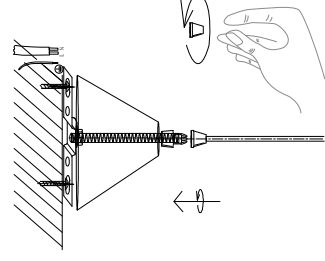
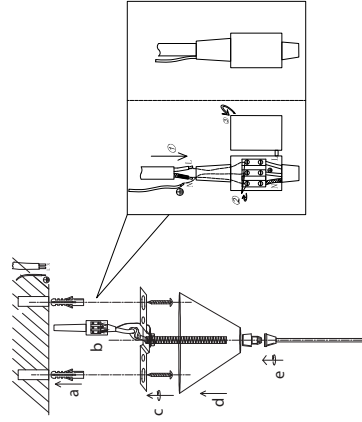
NOVA LUCE

9586500
1 x2 1 x2



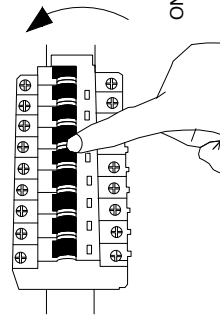
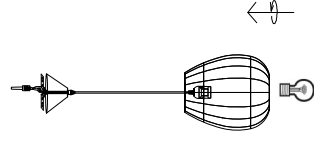
1. Turn off the general switch

2. Drill holes, apply plastic anchors & screws



3. Connect the wires

4. Apply the cap by rotating



5. Insert the bulb by rotating

6. Turn on the general switch

