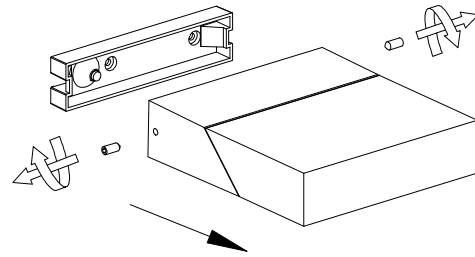
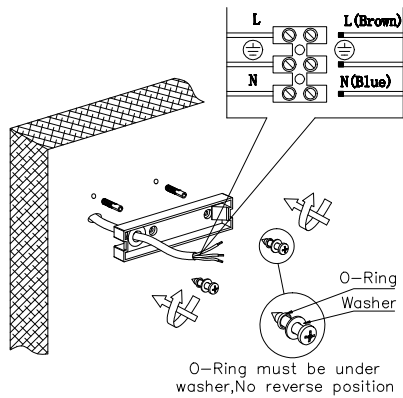


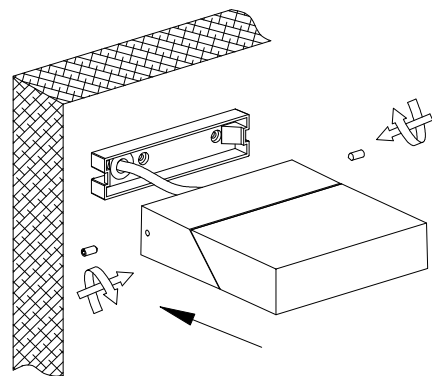
1. Turn off the general switch



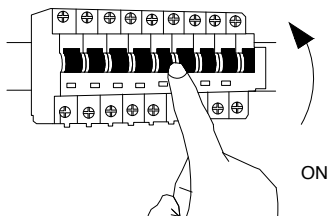
2. Untie side screws



3. Connect wires & apply screws to make the base stable



4. Apply the side screws



5. Turn on the general switch

