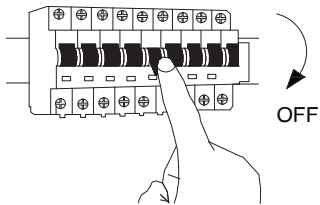


# NOVA LUCE

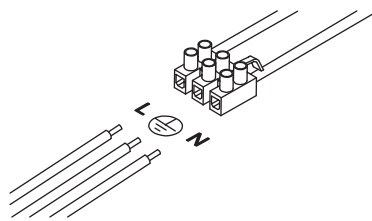
665001/ 666001  
665002/ 666002

1



Turn off the general switch

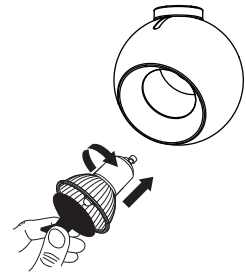
2



Connect wires

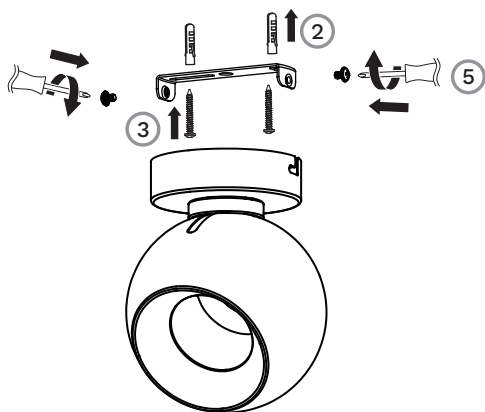
4

(A) (B)



Insert bulb/ bulbs

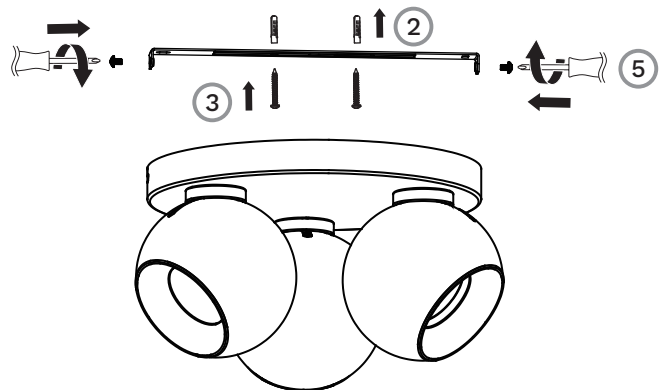
(A)



2. Drill holes, apply plastic anchors

3. Apply side screws

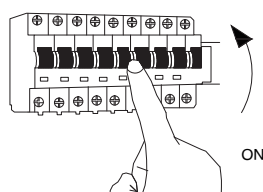
(B)



4. Connect wires

5. Apply the side screws

6



Turn on the general switch

