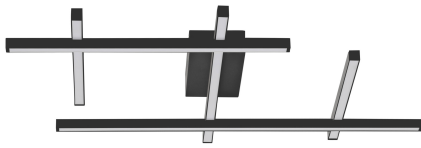


# NOVA LUCE

PRODUCT DATASHEET

Version: 001

## PRODUCT PHOTOGRAPH



## GENERAL INFORMATION

Product Code	9002060
Collection	Indoor
Product Category	Ceiling
Product Family	Pace
Mounting Location	Wall
Application Environment	Indoor
Specifications	N/A

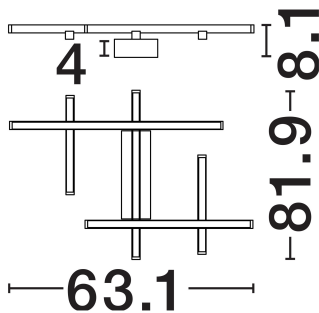
## DIMENSION & WEIGHT

LxWxH (cm)	L : 81.9 W: 63.1 H: 8.1
Cut Out (cm)	N/A
Weight (Kgr)	2

## MATERIAL & COLOR

Product Color	Sandy Black
Body Material	Aluminium & Acrylic

## TECHNICAL DRAWING



## APPLICATION & MOUNTING

Ambient Working Temp.	Max 45°C
Type of Protection	IP20
Dimmable	Yes
Type of Dimming	Triac
Mounting type	Surface
Mounting Depth (cm)	N/A
Led Module Replaceable	No
Light Source	LED

NOVA LUCE S.A

Schimatari Viotias  
32009, Greece

+30 22620 58 121  
+30 22620 56 743

info@novaluce.com  
www.novaluce.com



# NOVA LUCE

---

## PRODUCT DATASHEET

Version: 001

---

### ELECTRICAL DATA

Power (Nominal)	<b>63W</b>
Input voltage (Nominal)	<b>220-240V</b>
Mains Frequency	<b>50/60Hz</b>

### PHOTOMETRICAL DATA

Luminous Flux	<b>4020lm</b>
Color Temperature	<b>3000K</b>
Light Color (Designation)	<b>Warm White</b>

### WARRANTY

Warranty	<b>3 Years</b>
----------	----------------

### CERTIFICATES

Certificates	<b>CE,UKCA</b>
--------------	----------------

