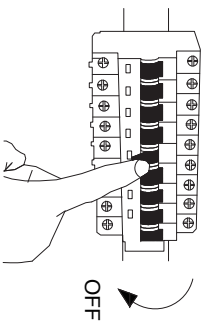
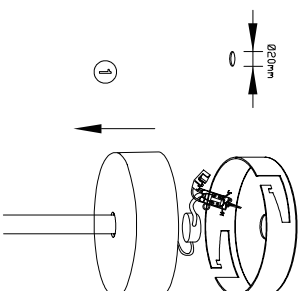


NOVA LUCE

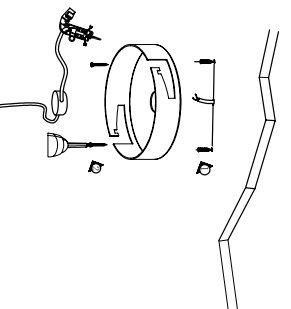
9186700



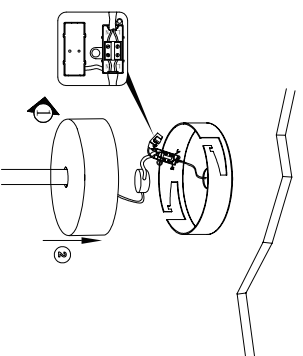
1. Turn off the general switch



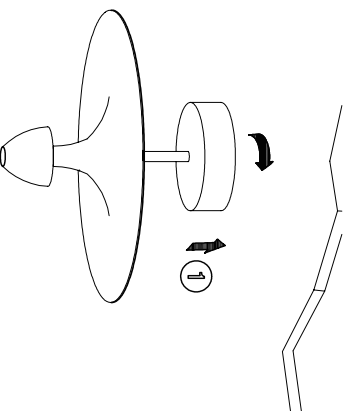
2. Disassemble it



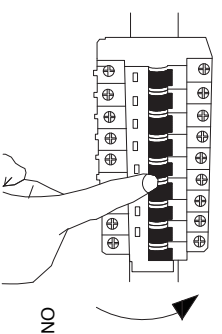
3. Drill holes apply plastic anchors
With screws



4. Connect the wires & fix it in place



5. Apply the side screw



7. Turn on the general switch

