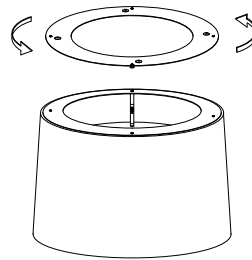
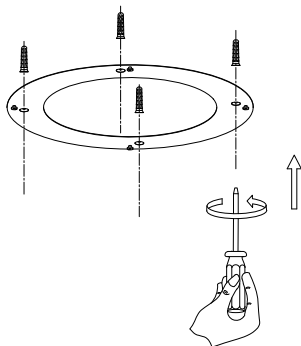


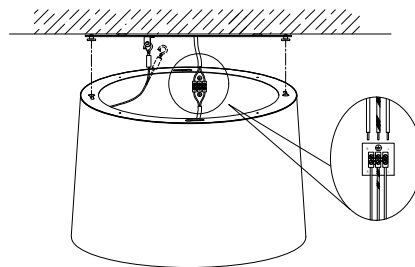
1. Turn off the general switch



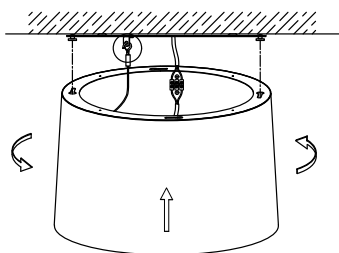
2. Untighten the plate counter clockwise



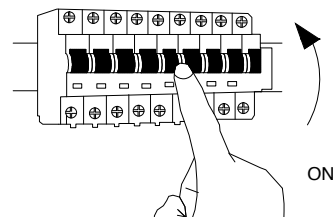
3. Drill holes & apply plastic anchors  
With screws



4. Connect the wires



5. Fix in place the safety hook  
& rotate the canopy by placing it on the slots



6. Turn on the general switch

