

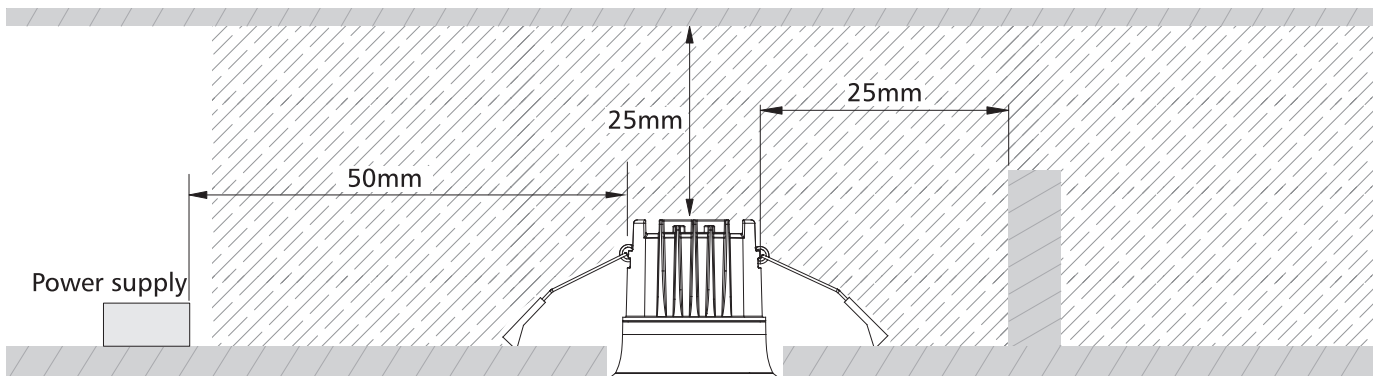
Safety Instructions

To ensure correct function and safety, please read and follow all instructions carefully before using the product:

1. Turn off power supply before installation or before doing any maintenance work.
2. Do not install any luminaire near the heat source.
3. Do not exceed the nominal supply voltage or amperage ratings.
4. All wiring and installation of the light fitting must adhere to local and national wiring rules.
5. Take care not to pull any electrical wires during unpacking as this may damage the connection.
6. Lay out all the components on a smooth surface and make sure there are no components missing before assembling.
7. To avoid injury or damage to the fitting, please ensure that power leads and screws are secure before connecting the power.
8. Please keep instructions for future reference.
9. Please refer to IP(Ingress Protection) rating of this luminaire when deciding the location of installation.

Installation Instruction

Fig 1: Installation Spacing



RISK OF FIRE – Required clearance from structural members and building elements

SCB=25mm HCB=25mm MIC=0mm SCI=0mm

HCB: Height clearance to building element

MIC: Minimum insulation clearance

SCI : Side clearance to insulation

SCB: Side clearance to building element

Ceiling cutout table

Downlight Dia (inch)	2	2.5
Ceiling Cutout (mm)	68-72	75-83

IP rating table: Before installation, please check the IP label on the luminaire to choose the right place to install.

IP20/IP40	Indoor use only, do not use in wet or damp place.
IP44/IP54	Suitable for indoor areas including bathrooms and covered/sheltered areas such as porches.

Dimmer selection table: Before installation, please check the information of driver as below.

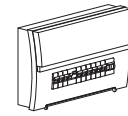
Non-dim	Can not be used with any dimmer.
Triac dim	Compliable with recommended TRIAC dimmers, dimming range 8-100%.

Part 1

Installation Procedure

WARNING

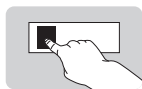
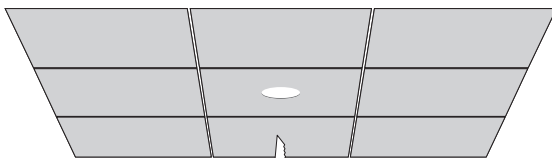
1. Switch off before installation.
2. Switch on only after complete installation and examination of the circuit.
3. Professional electrician for installation and maintenance only.



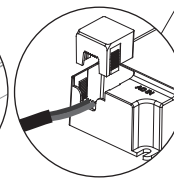
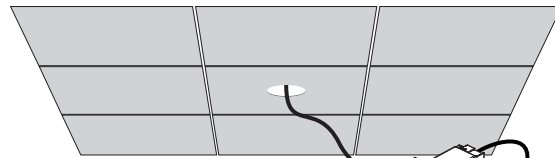
**Turn Off
Power Supply**



Downlight with external driver



select preferred colour temperature for product in CCT change function only

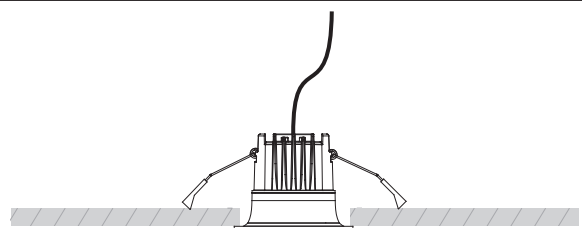
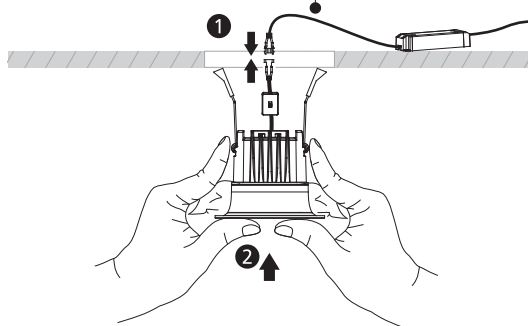


L — Switched
N — Neutral

1. Create CutOut

2. Adjust the tightness of the screws to help you out in place the clips

If the external flexible cable or cord of this luminaire is damaged, it shall be exclusively replaced by the manufacturer or his service agent or a similar qualified person in order to avoid a hazard.



COMPLETE

3. Connect wires & insert the light into place

The light source contained in this luminaire shall only be replaced by the manufacturer or his service agent or a similar qualified person.



Caution, risk of Electric shock.