

## Safety Instruction:

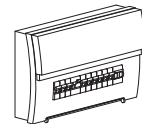
Basic safety precautions should always be followed when installing, including the following:

1. Read instructions carefully before installing.
2. This LED Panel requires professional installation and maintenance.
3. The power supply of the LED Panel should be powered by a dedicated external LED driver.
4. Disconnect the power supply before installing or maintenance.
5. Make sure the wires have been properly connected before powering on the device.
6. Ensure the product has enough space for heat dissipation.
7. Ensure the luminaries are never covered by any heat insulation mat or slim layer material at anytime.
8. Dimmable version could be compatible with a wide range of recommended TRIAC dimmers.
9. Please refer to IP(Ingress Protection) rating of this luminaire when deciding the location of installation.
10. Ambient Temperature: -10°C to + 40°C, Avoid direct sunlight.
11. Storage Conditions: Cool & dry conditions.

## Installation Procedure

### **WARNING:**

1. Switch off before installation.
2. Switch on only after complete installation and examination of the circuit.

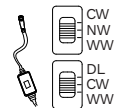


**Turn Off  
Power Supply**

### **CAUTION**

Make sure that the mounting surface or structural member used for installation can support the weight of LED Panel.

For color changeable model (controlled by Slide Switch in lamp), please select light color before installation, see below picture.

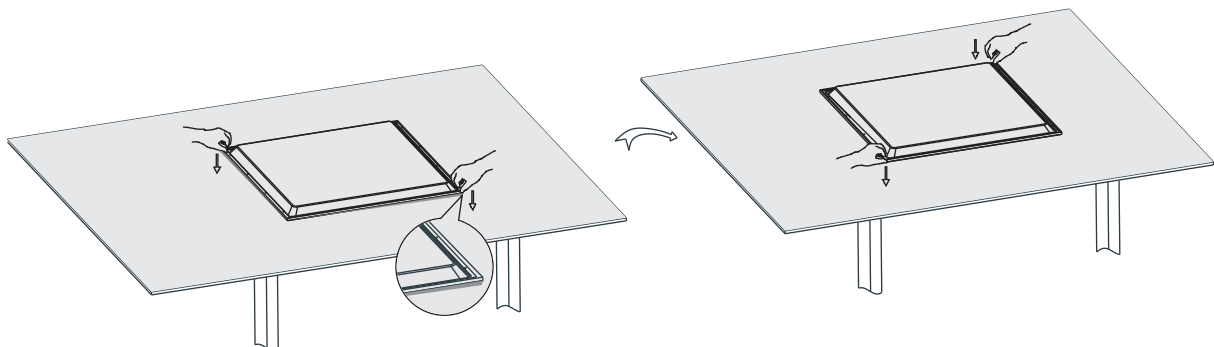


choose color by slide switch with corresponding color temperature.

### Lamp inspection before installation:

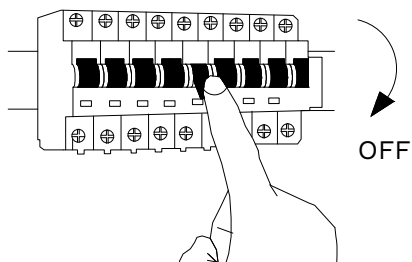
Take out the lamp from the box and put it in a flat table, if the lamp upwarps, please adjust the lamp with below steps before installation:

1. Press the opposite angles at the same time;
2. Press another two opposite angles at the same time, make sure the four angles are flat, then start the installation.

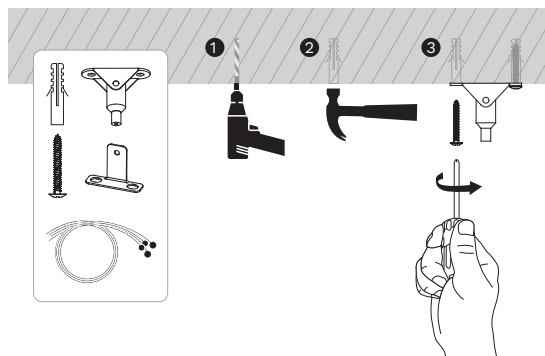


## Version 1

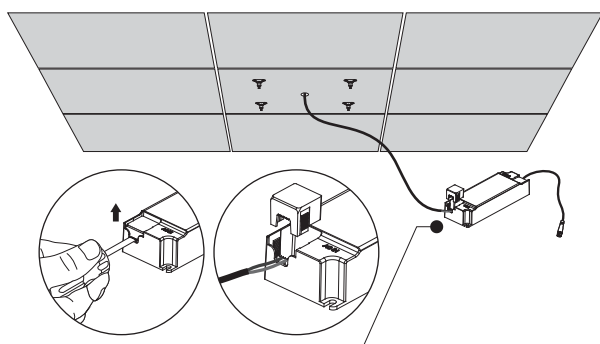
### Pendant Installation



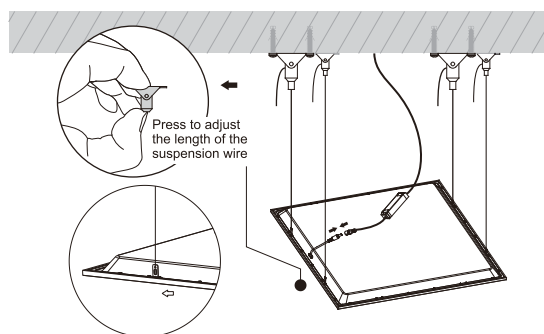
1. Turn off the general Switch



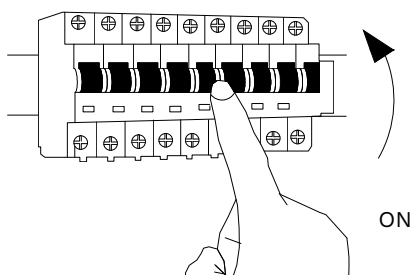
2. Mark & drill holes



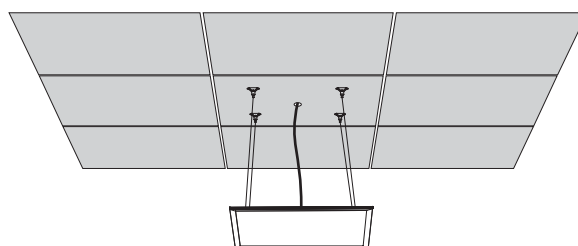
3. Connect wires



4. Connect the suspension wire & connect wires by clicking them

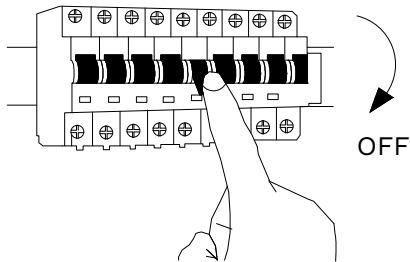


5. Turn on the general Switch

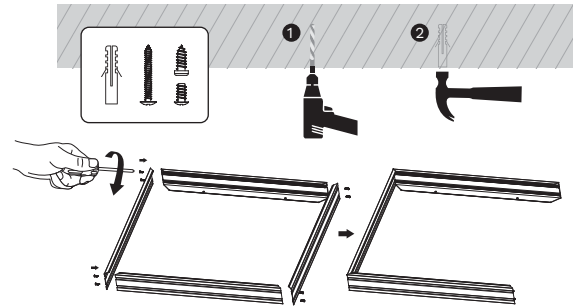


## Version 2

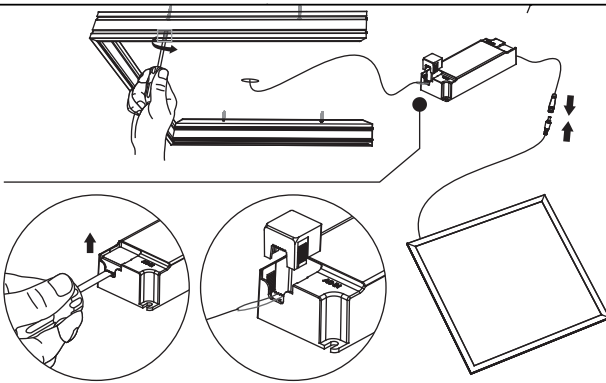
### Surface Mount Installation



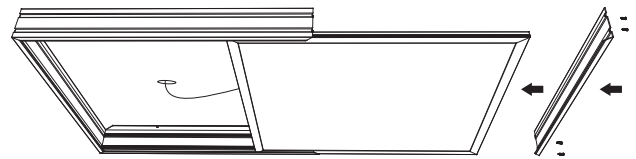
1. Turn off the general Switch



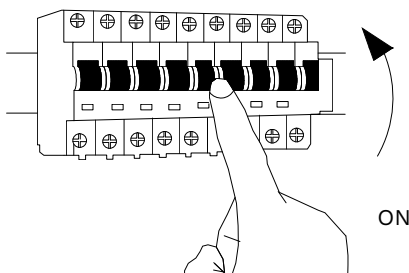
2. Mark & drill holes, apply plastic anchors & connect the 3 of 4 parts together



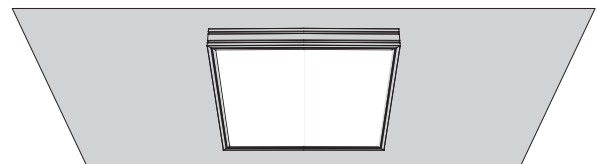
3. Connect wires & place mount into place by tidying up screws



4. Slide the light inside the mount & make it steady by applying the 4th part by tidying up the screws

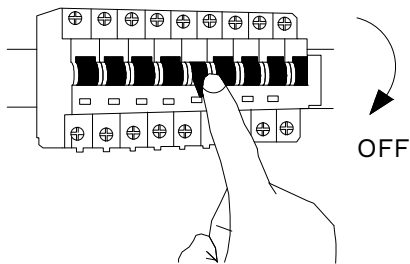


5. Turn on the general Switch

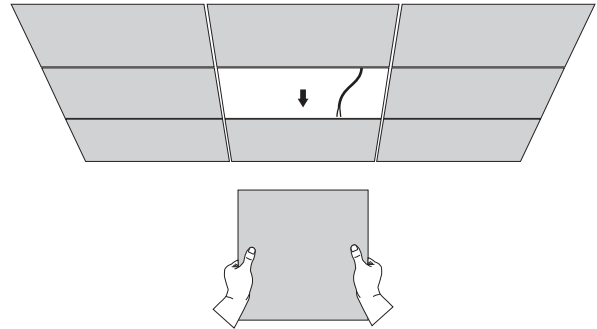


## Version 3

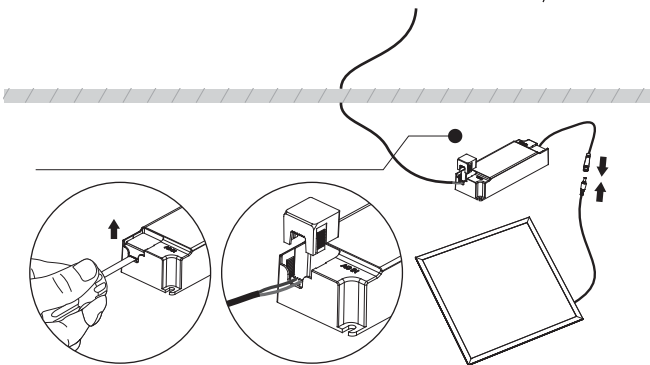
### Surface Mount Installation



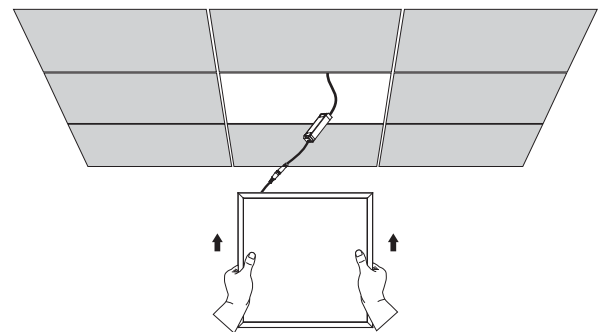
1. Turn off the general Switch



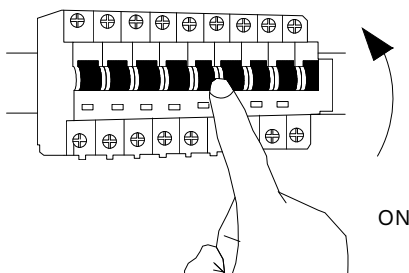
2. Remove the part to expose the installation area



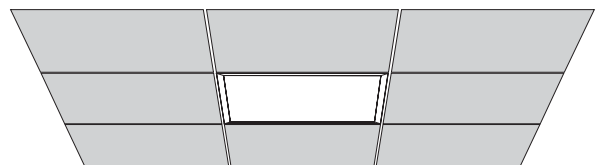
3. Connect the wires



4. Apply the part into place

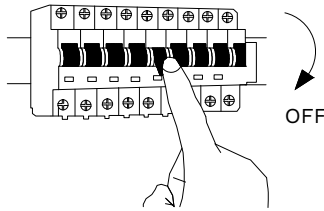


5. Turn on the general Switch



## Version 5

### Instruction Manual

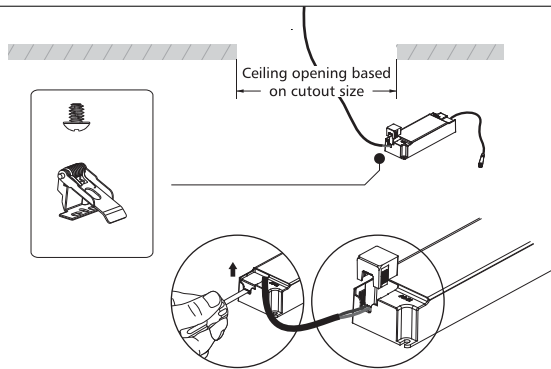


1. Turn off the general Switch

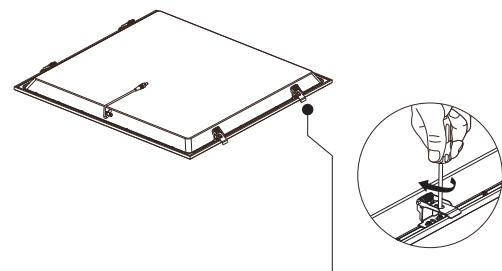
| Cutout Size |           |            |            |
|-------------|-----------|------------|------------|
| Panel Size  | Cutout    | Panel Size | Cutout     |
| 295x295mm   | 270x270mm | 620x620mm  | 590x590mm  |
| 295x595mm   | 270x570mm | 295x1195mm | 270x1170mm |
| 595x595mm   | 570x570mm | 595x1195mm | 570x1170mm |

Clips should be purchased separately as an accessory

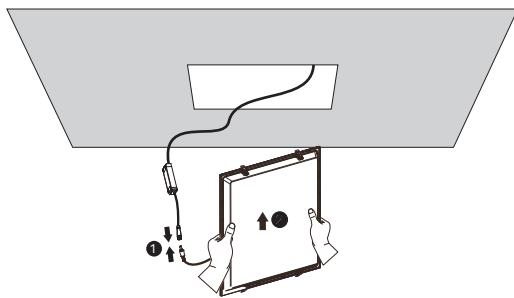
2. Create a CutOut



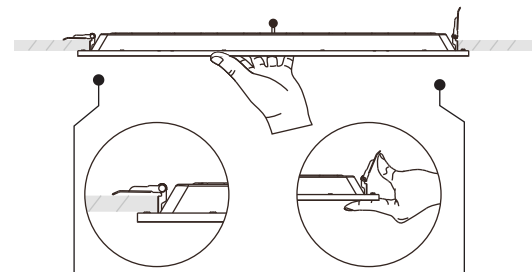
3. Connect wires



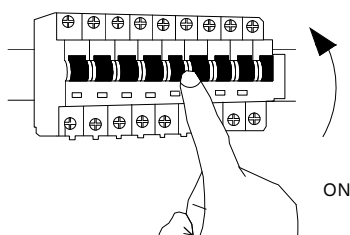
4. Fix it in place by tying up the clips into place



5. Click the wires together & place the part into the CutOut area



6. Adjust the anchors to make it stable



7. Turn on the general Switch

