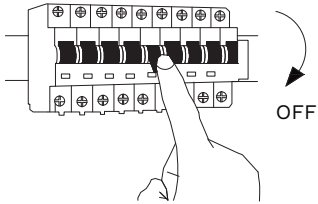


NOVA LUCE

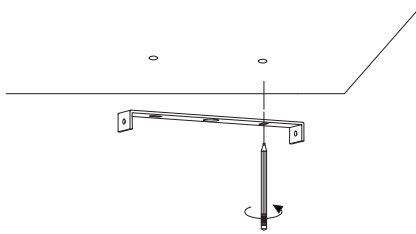
9756715

1



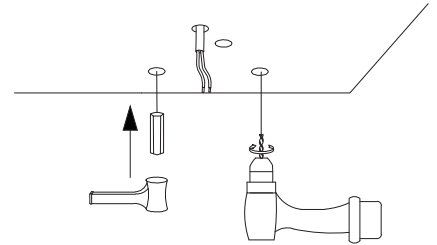
Turn off the general switch

2



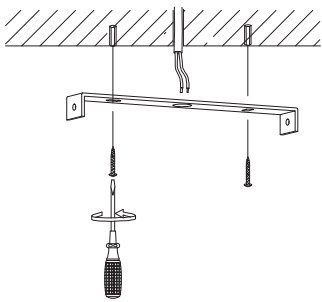
Mark where to drill holes

3



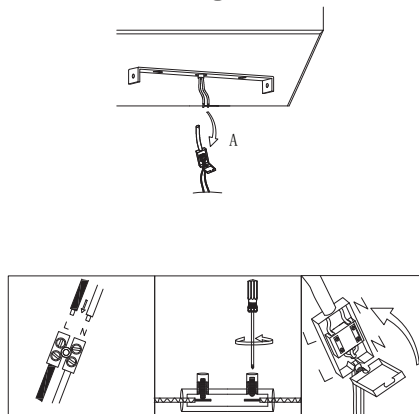
Make holes & apply anchors

4



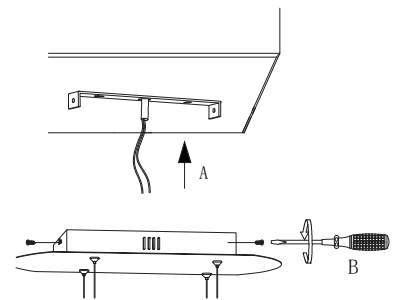
Tie up the screws to make it stable

5



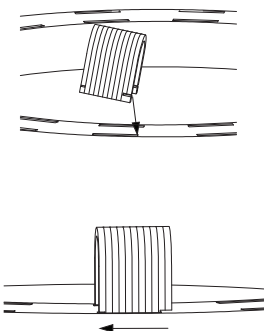
Connect the wires

6



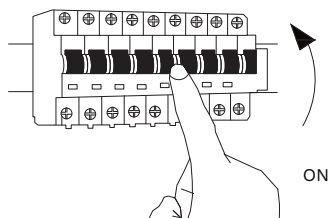
Fix the luminaire into place by tying up the side screws

7



Apply the crystal

8



Turn on the general switch

