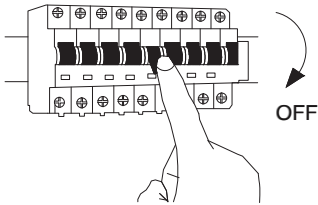


# NOVA LUCE

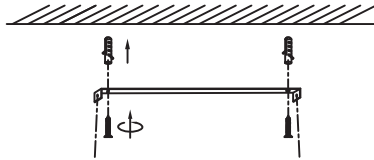
9081817

①



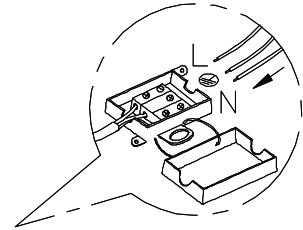
Turn off the general switch

②



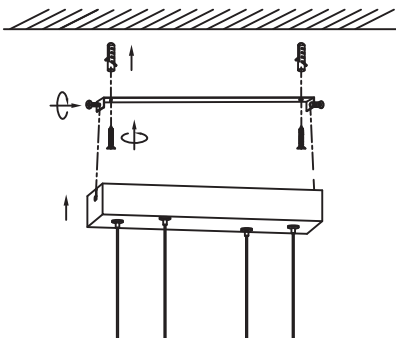
Align, mark & drill holes  
Tie up the screws

③



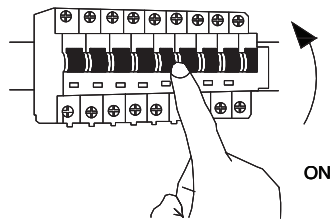
Connect wires

④



Put it in place  
& tie up side screws  
to make it stable

⑤



Turn on the general switch

⑥

