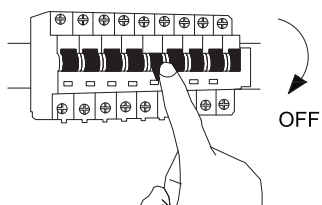
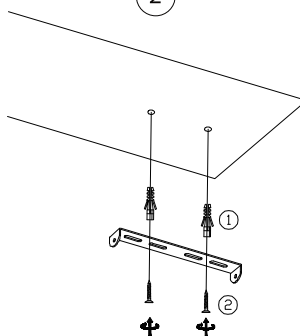


1



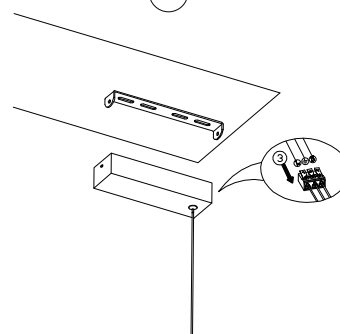
Turn off the general switch

2



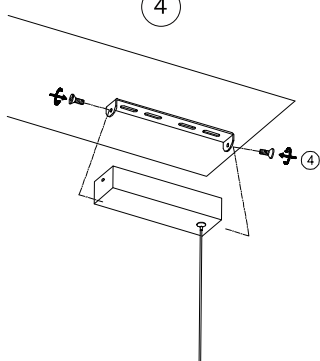
Drill holes & apply plastic anchors
With screws

3



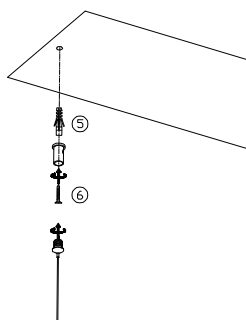
Connect the wires

4



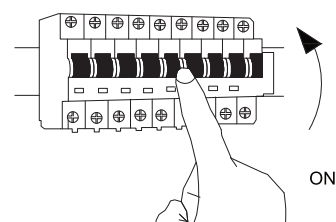
Apply the side screws

5



Apply plastic anchors & fix
In place the hanging element

6



Turn on the general switch

