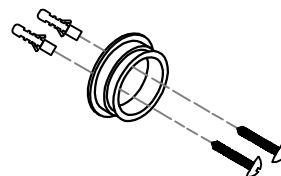
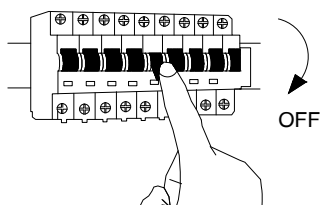


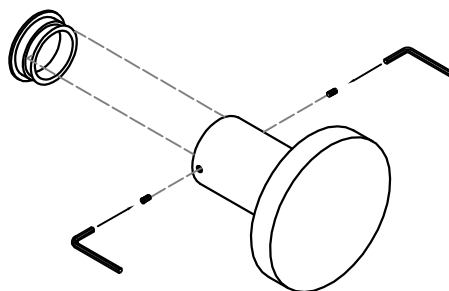
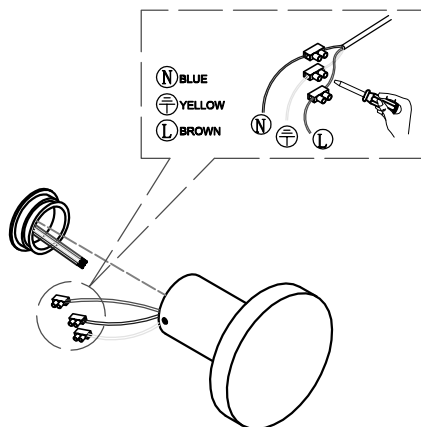
# NOVA LUCE

9540248



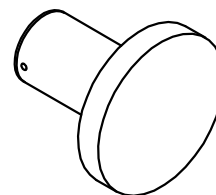
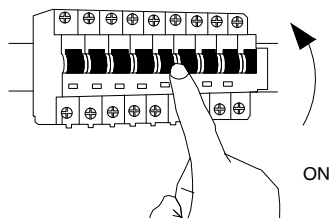
1. Turn off the general switch

2. Drill holes, apply plastic anchors with screws



3. Connect the wires & put it in place

4. Apply side screws to connect parts



5. Turn on the general switch