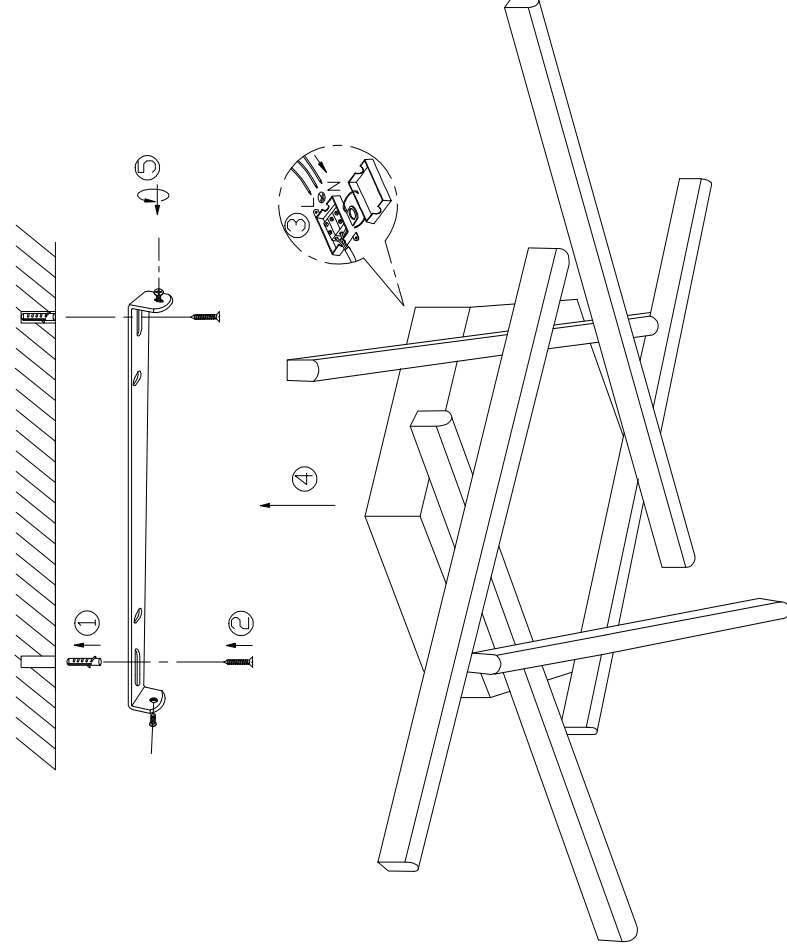


# NOVA LUCE

9001112



Turn off the general switch

1. Apply plastic anchors
2. Tie up the screws into the anchors
3. Connect the cables
4. Place components together
5. Tie up side screws

Turn on the general switch