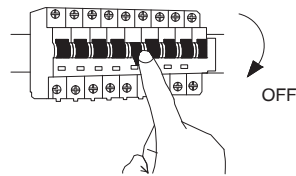
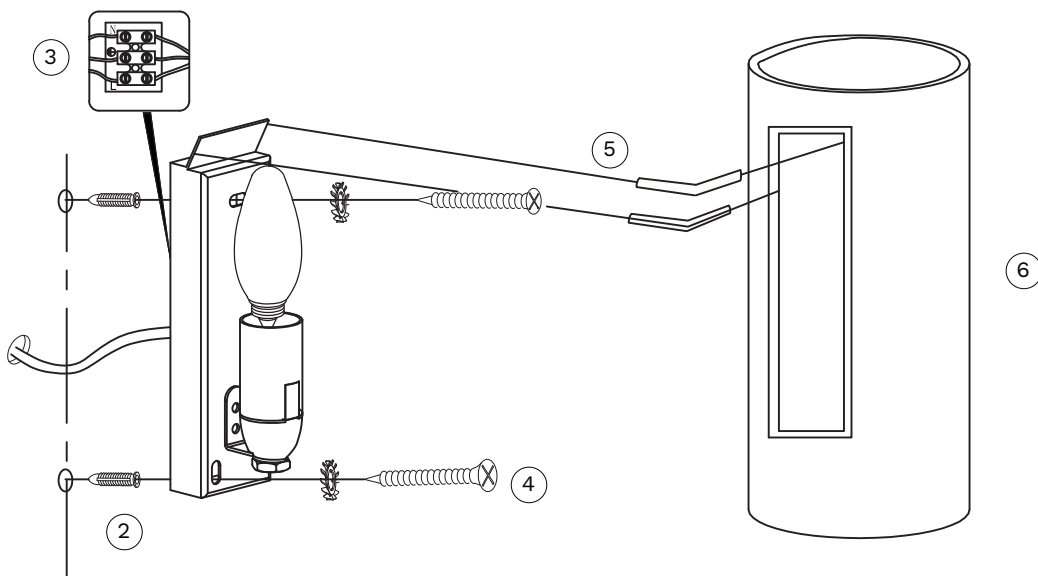


①

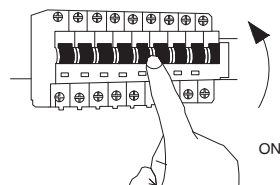


Turn off the general switch



2. Align, mark & drill holes & apply plastic anchors
3. Connect wires
4. Place the nuts & tie up screws
5. Assemble parts
6. Fix it in place

⑦



Turn on the general Switch

