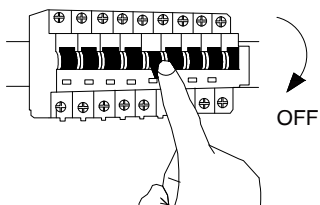
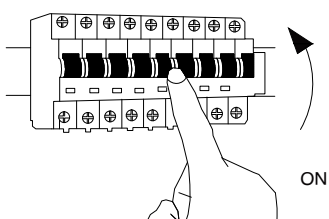


1

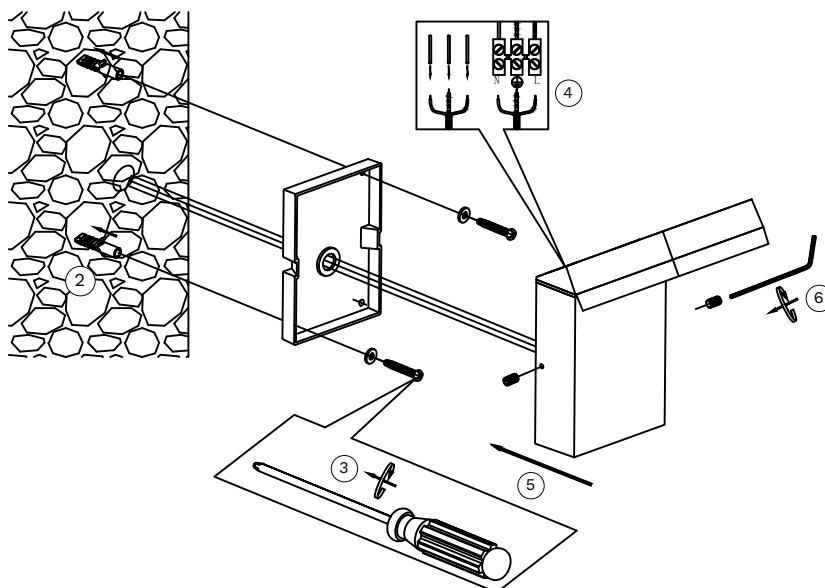


Turn off the general switch

7



Turn on the general switch



1. Turn off general switch
2. Drill holes & apply plastic anchors
3. Make it stable by tying up screws
4. Connect the wires
5. Place the luminaire onto place
6. Tie up the side screws
7. Turn on the general switch

