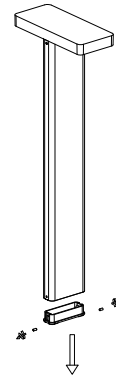
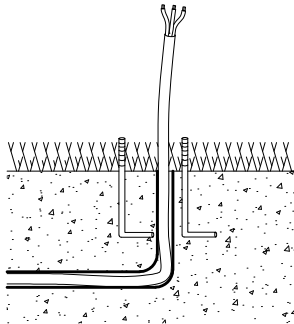


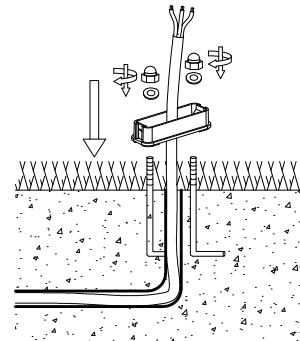
1. Turn off the general switch



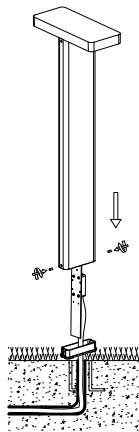
2. Untie side screws to remove the cap



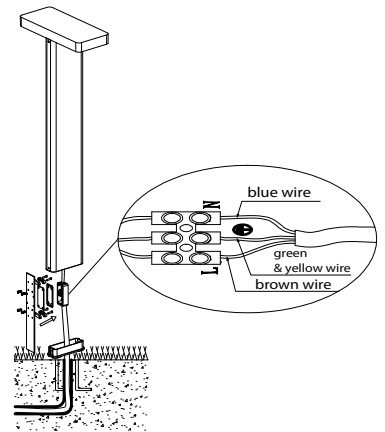
3. Connect wires & apply screws to make the base stable



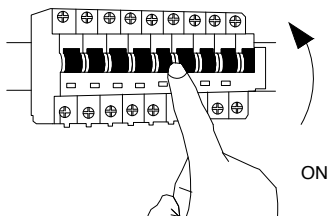
4. Apply the cap by tiding up the screws



5. Apply side screws to connect the parts together



6. Apply the cap by tiding up the side screws



7. Turn on the general switch

