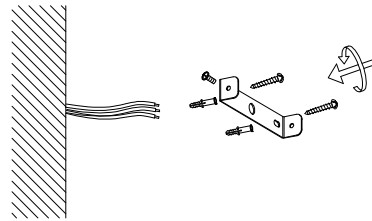
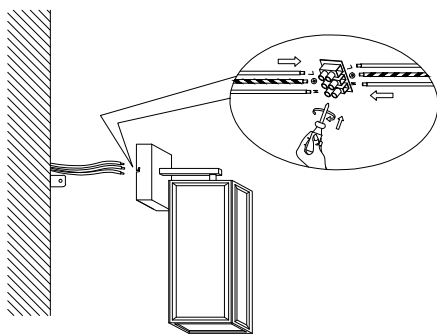


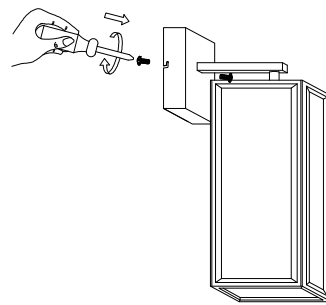
1. Turn off the general switch



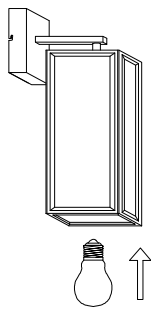
2. Drill holes & apply plastic anchors with screws



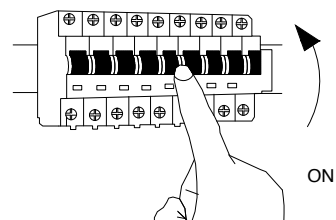
3. Connect the wires



4. Apply side screws



5. Put the bulb into place



6. Turn on the general switch

