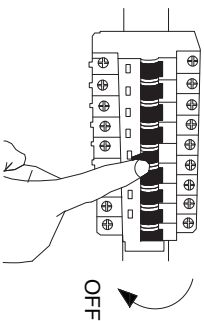
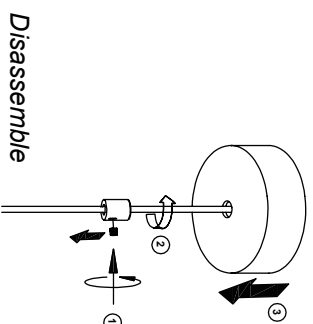


NOVA LUCE

9186701

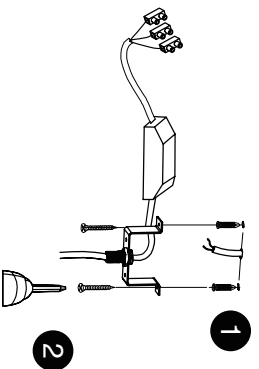


1. Turn off the general switch

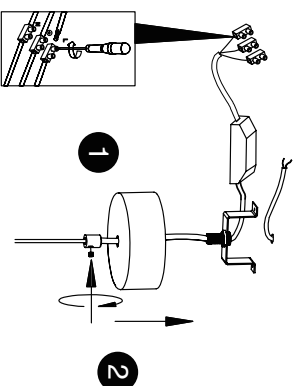


Disassemble

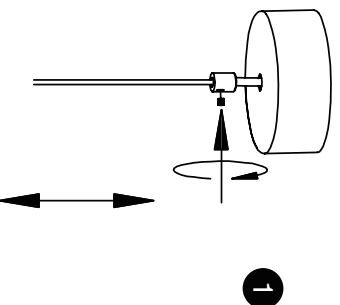
2. Apply the screw & the canopy



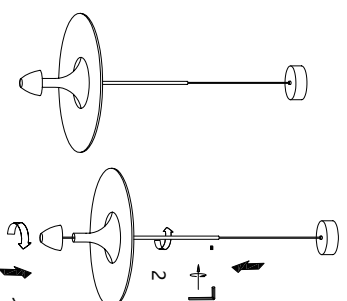
3. Drill holes apply plastic anchors
With screws



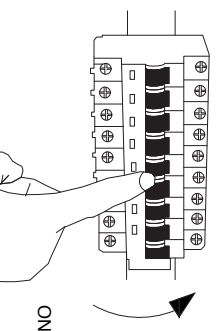
4. Connect the wires & fix it in place



5. Apply the side screw



6. By rotation apply bottom part
With the side screw on the pendant



7. Turn on the general switch