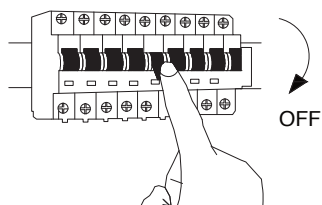
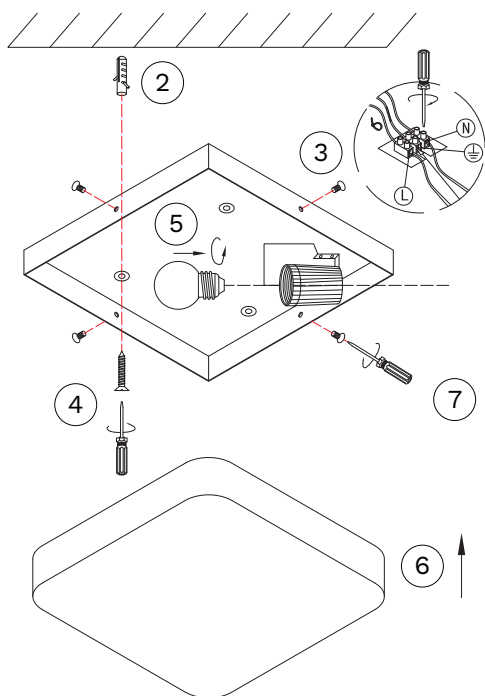


1

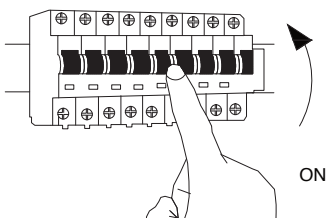


Turn off the general switch



2. Drill holes & apply plastic anchors
3. Connect the wires
4. Tie up screws to make it stable
5. Insert the bulb by rotate
6. Fix the luminaire into place
7. Tie up side screws

8



Turn on the general switch

