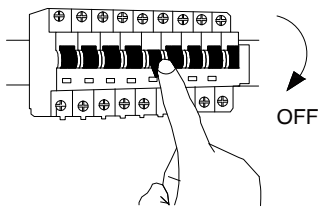


# NOVA LUCE

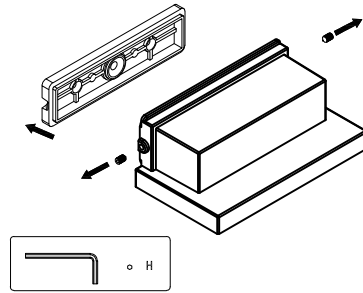
9030900/ 9030901/ 9030902

1



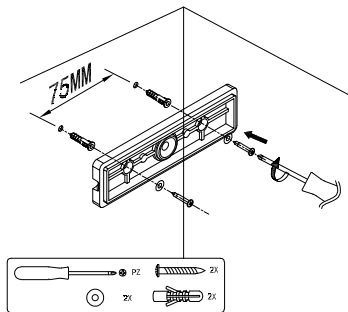
Turn off the General Switch

2



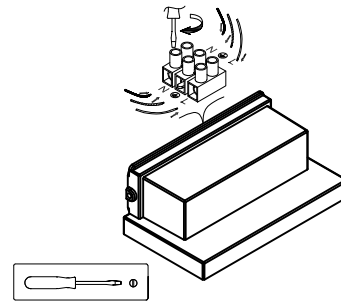
Untie side screws & remove the cap

3



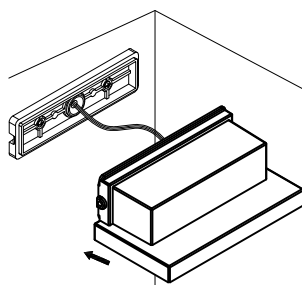
Mark and drill holes, insert anchors & tie up screws

4



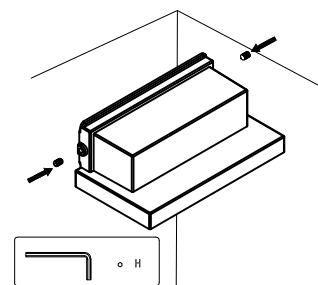
Connect wires

5



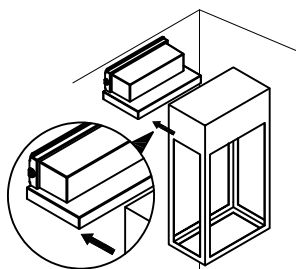
Fix part into base

6



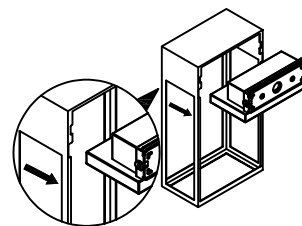
Apply side screws

7



Apply canopy by sliding it into place

8



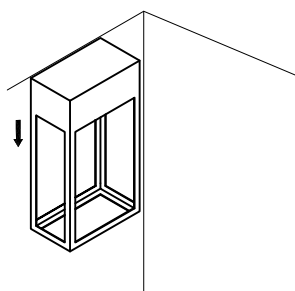
Make sure to insert it in the right incision



# NOVA LUCE

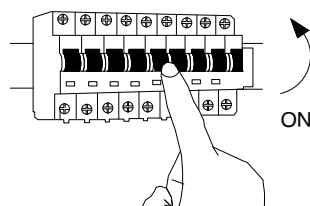
9030900/ 9030901/ 9030902

9



Make it stable by pressing it downwards

10



Turn on the General Switch

