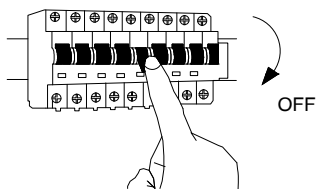


NOVA LUCE

100-240V~50/60Hz LED GU10 1x10 Watt

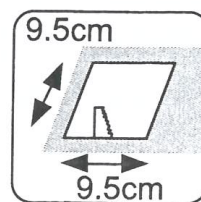
9430241/ 9430242

1

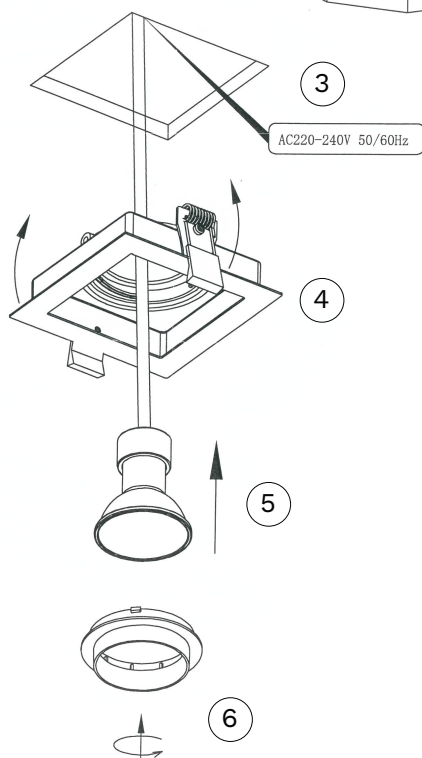


Turn off the general switch

2



Create a CutOut



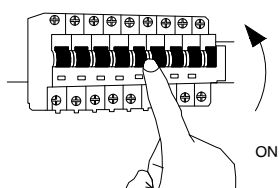
3. Connect wires

4. Press brackets together to insert the luminaire into the hole

5. Insert the bulb by rotate

6. Fix luminaire into place

7



Turn on the general Switch

8

