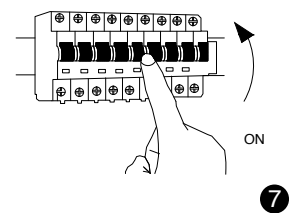
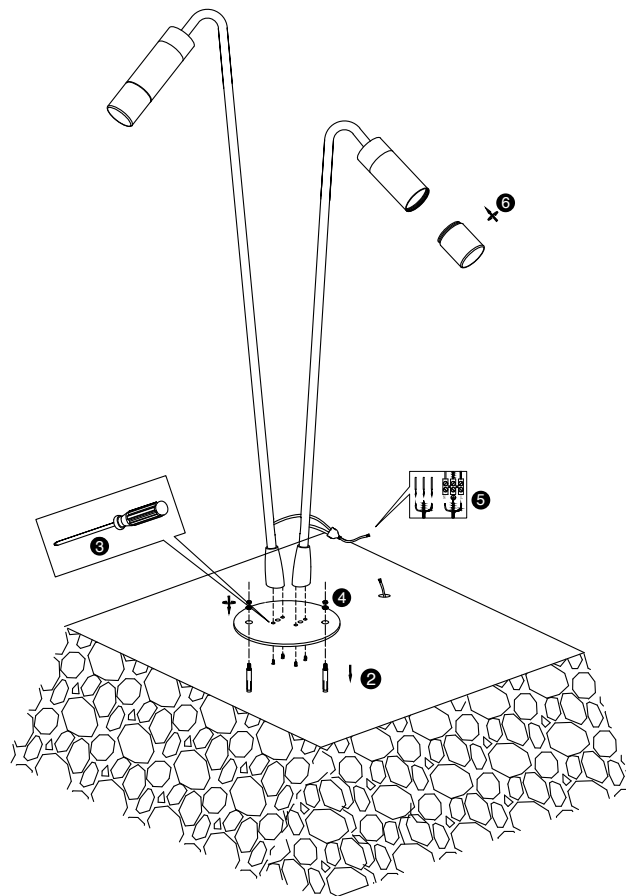
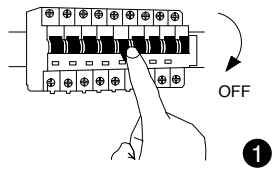


NOVA LUCE

9030849



1. Turn off the general switch
2. Drill holes
3. With a screw driver place the screws
4. Put the product in to place
5. Connect the wires
6. By rotating apply the cap
7. Turn on the general switch