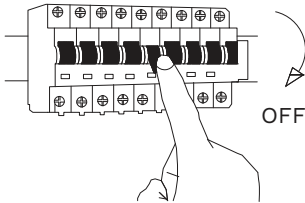


NOVA LUCE

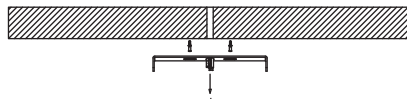
910621/ 910622/ 910623

1



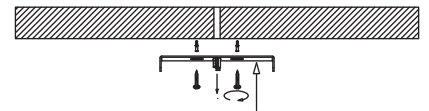
Turn off the general switch

2



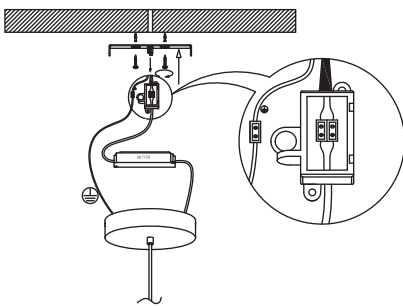
Align, mark & drill holes
& apply plastic anchors

3



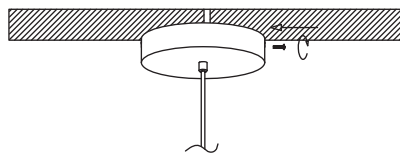
Apply screws to fix it place

4



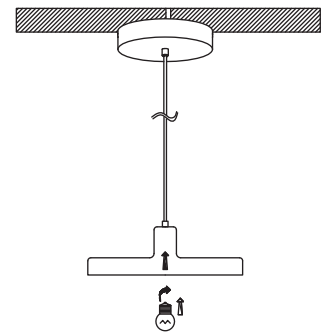
Connect wires

5



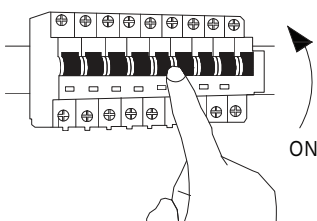
Tie up side screws

6



Insert the bulb by rotate

7



Turn on the general switch

8

