

# NOVA LUCE

## PRODUCT DATASHEET

Version: 001

### PRODUCT PHOTOGRAPH



### GENERAL INFORMATION

|                         |         |
|-------------------------|---------|
| Product Code            | 9011428 |
| Collection              | Indoor  |
| Product Category        | Wall    |
| Product Family          | Conico  |
| Mounting Location       | Wall    |
| Application Environment | Indoor  |
| Specifications          | N/A     |

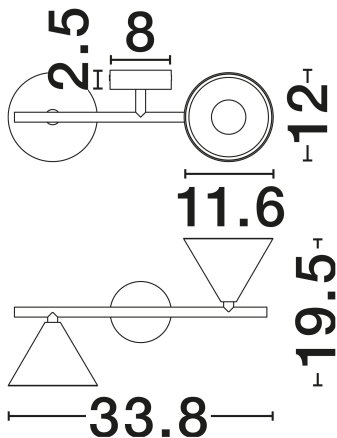
### DIMENSION & WEIGHT

|              |                         |
|--------------|-------------------------|
| LxWxH (cm)   | L: 19.5 W: 11.5 H: 33.8 |
| Cut Out (cm) | N/A                     |
| Weight (Kgr) | 0.45                    |

### MATERIAL & COLOR

|               |                    |
|---------------|--------------------|
| Product Color | Oxide Gold & Black |
| Body Material | Aluminium          |

### TECHNICAL DRAWING



### APPLICATION & MOUNTING

|                        |           |
|------------------------|-----------|
| Ambient Working Temp.  | Max 45°C  |
| Type of Protection     | IP20      |
| Dimmable               | Yes       |
| Type of Dimming        | N/A       |
| Mounting type          | Surface   |
| Mounting Depth (cm)    | N/A       |
| Led Module Replaceable | Yes       |
| Light Source           | MR16/GU10 |

NOVA LUCE S.A

Schimatari Viotias  
32009, Greece

+30 22620 58 121  
+30 22620 56 743

info@novaluce.com  
www.novaluce.com



# NOVA LUCE

---

## PRODUCT DATASHEET

Version: 001

---

### ELECTRICAL DATA

|                         |                 |
|-------------------------|-----------------|
| Power (Nominal)         | <b>2 x 10W</b>  |
| Input voltage (Nominal) | <b>100-240V</b> |
| Mains Frequency         | <b>50/60Hz</b>  |

### PHOTOMETRICAL DATA

|                           |            |
|---------------------------|------------|
| Luminus Flux              | <b>N/A</b> |
| Color Temperature         | <b>N/A</b> |
| Light Color (Designation) | <b>N/A</b> |

### WARRANTY

|          |                |
|----------|----------------|
| Warranty | <b>3 Years</b> |
|----------|----------------|

### CERTIFICATES

|              |                |
|--------------|----------------|
| Certificates | <b>CE,UKCA</b> |
|--------------|----------------|

