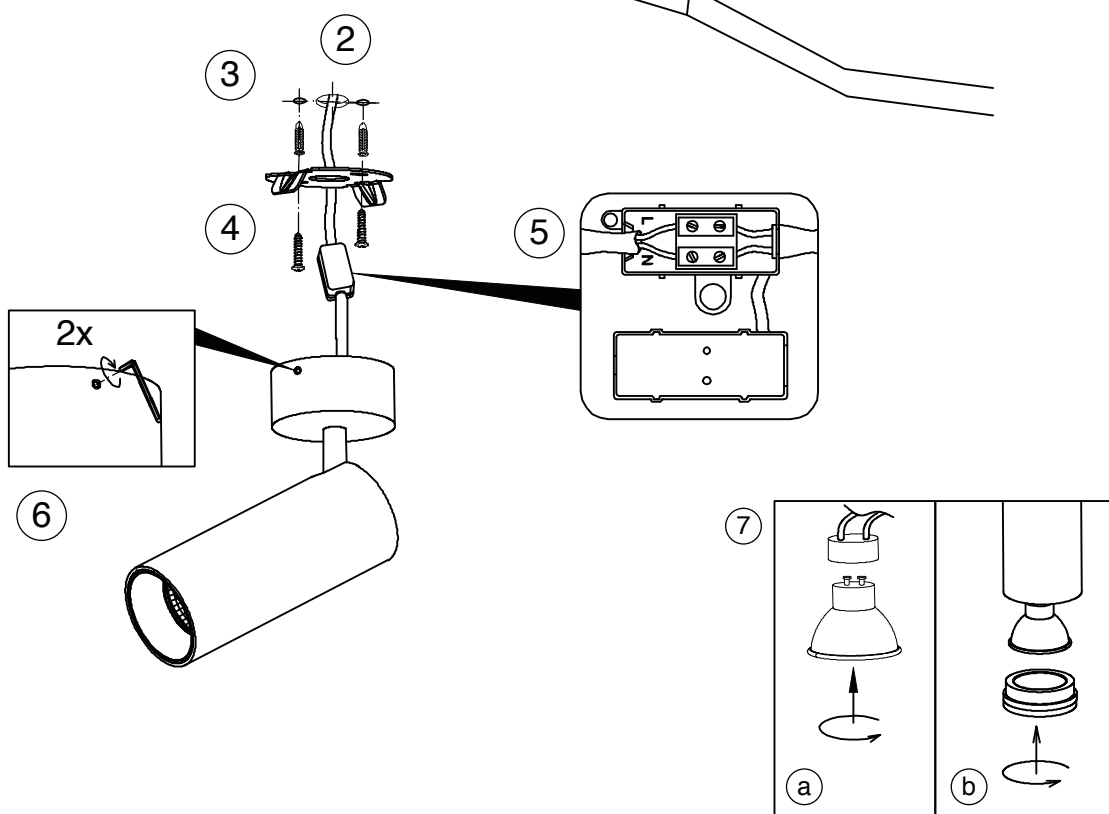


1. Turn off the general Switch



2. Create a Cut Out

3. Mark & drill holes & Apply plastic anchors

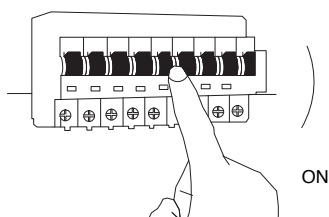
4. Apply screws

5. Connect wires

6. Apply side screws

7. a. Insert bulb by rotating  
b. Apply the cup

The instalation can be either way



7. Turn on the General Switch

