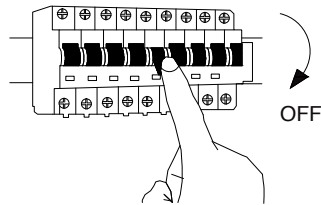
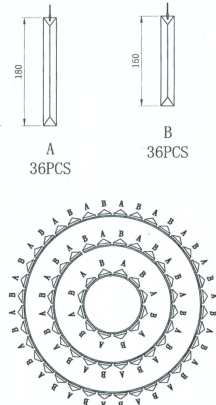
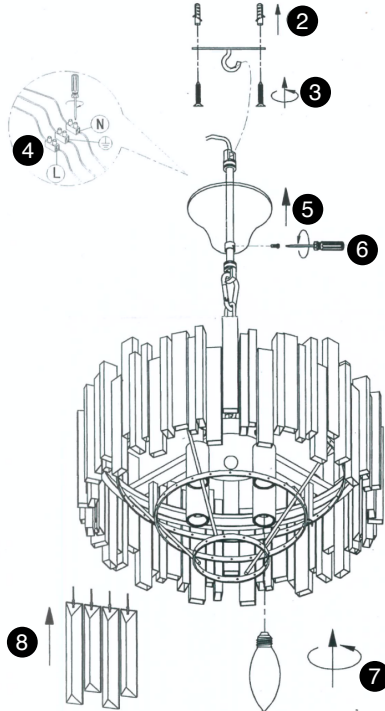


1



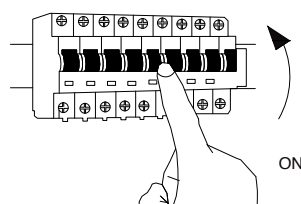
Turn off the general switch

9181100



2. Drill holes & apply plastic anchors
3. Tie up screws to make it stable
4. Connect the wires
5. Fix luminaire into place by tying up side screws
6. Insert the screws
7. Insert bulb by rotate
8. Apply the crystals

9



Turn on the general switch

