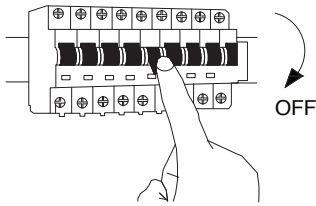
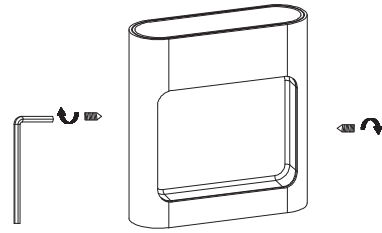


NOVA LUCE

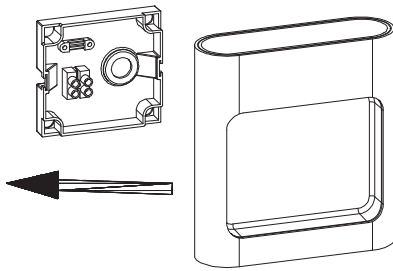
9030802 9030803



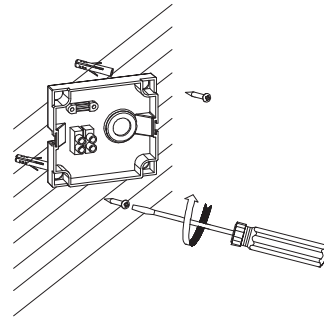
1. Turn off the general switch



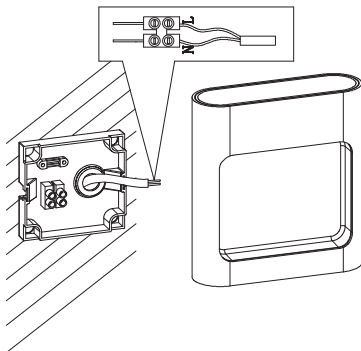
2. Apply side screws



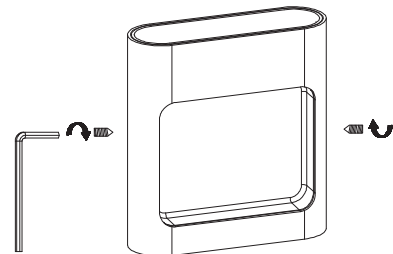
3. Open the lid



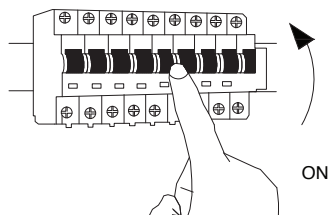
4. Drill holes & apply plastic anchors
Apply screws to stabilize the lid



5. Connect the wires



6. Apply side screws



7. Turn on the general switch

