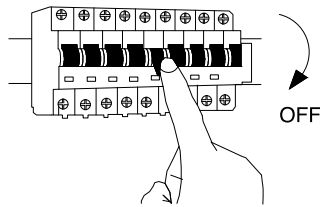


# NOVA LUCE

9680223/ 9680224

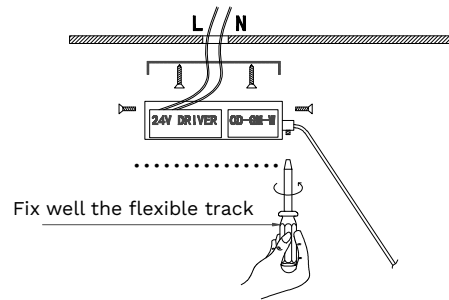
## Wiring Instructions

①



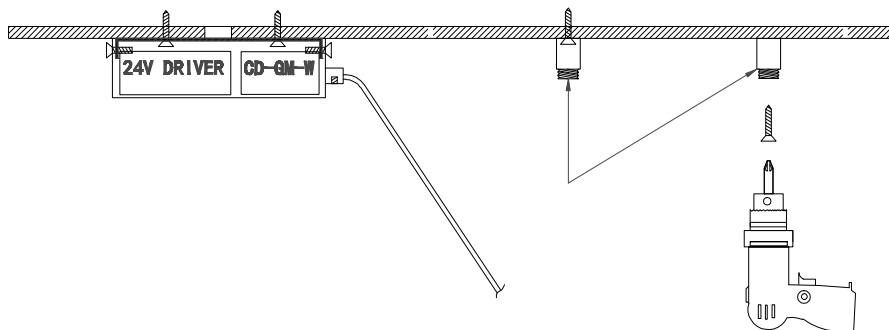
Turn off the general switch

②



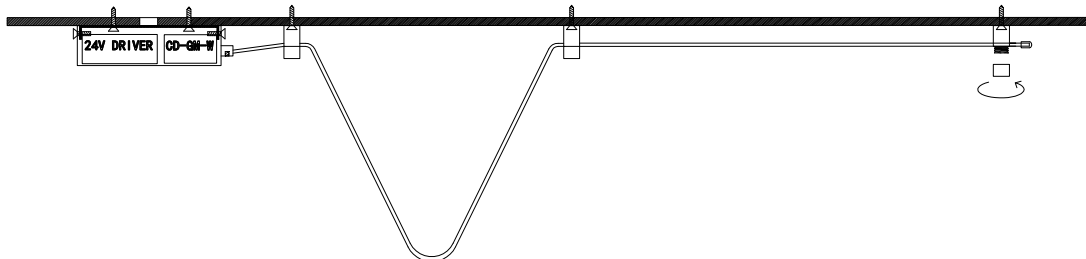
Fix the hanging board on ceiling, driver  
Connect L/N wiring & flexible track wire  
& then the power box properly

③



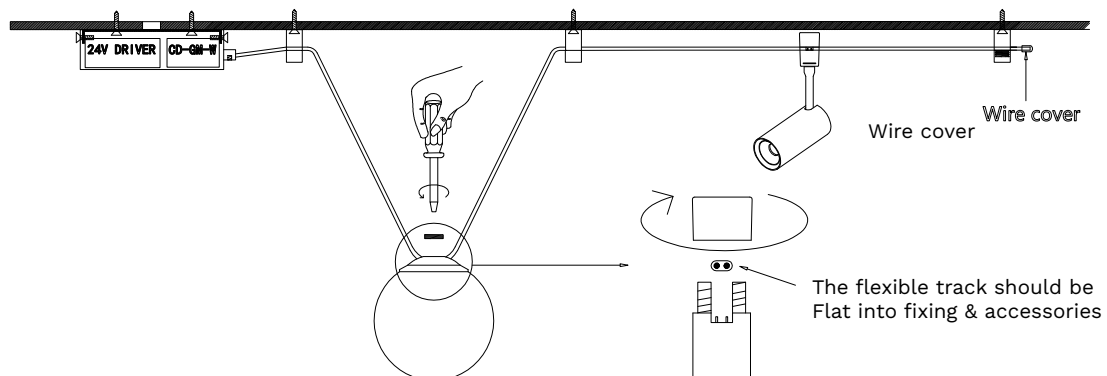
Apply the screws into positions

④



Fix the flexible track on the fixed parts to create a new shape

⑤

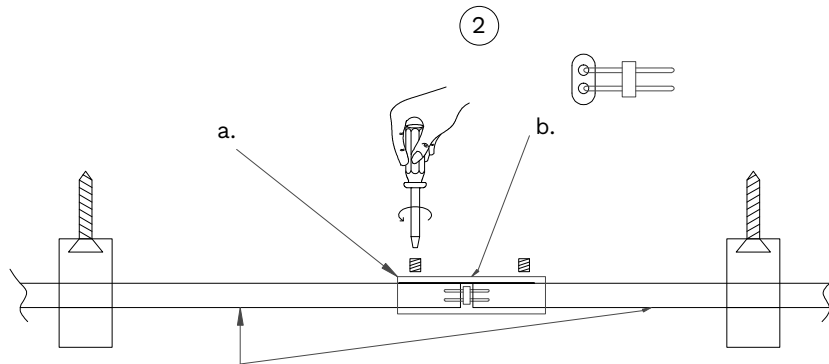


Fix the lamps onto the flexible track



## Installation Remark

①

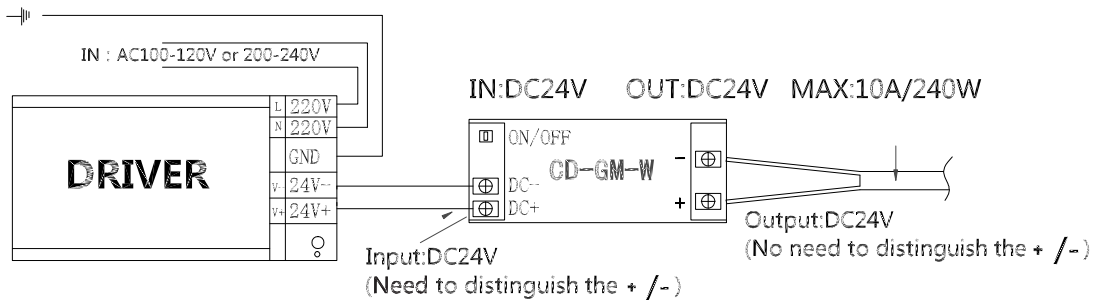


Those locations can't install lamps

a. Connect the parts

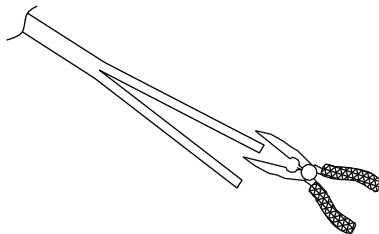
b. Apply the pin into the copper wire

②



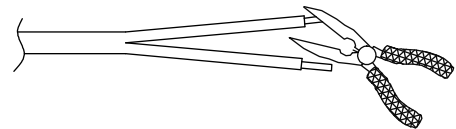
Connect the copper wires to the DC port of the power supply

③



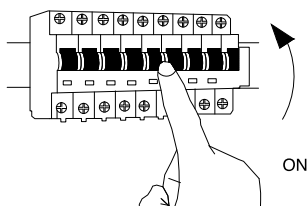
Cut off the middle wire

④



Strip off the outer silicone coating  
To expose inner copper wire

⑤



Turn on the general switch

Attention:

1. Loosen the cap of the fixing fixture, then adjust the flexible track
2. Loosen connection cap of the lamp, then move it for adjustment
3. The weight of all lamps between two fixing should be  $\leq 3\text{KG}$
4. The total power of lamps shall not exceed 80% of the driver's power
5. Don't pull the flexible track after installation
6. Due to voltage drop, please follow bellow instruction:
  - a. If the flexible track is 15M, total power of lamps should be  $\leq 125\text{W}$
  - b. If the flexible track is 25M, total power of lamps should be  $\leq 70\text{W}$
  - c. If the flexible track is 35M, total power of lamps should be  $\leq 55\text{W}$
  - d. If the flexible track is 45M, total power of lamps should be  $\leq 42\text{W}$

Note: Different spatial shapes are determined by the location of the fixed point, which should be installed according to the design drawing.