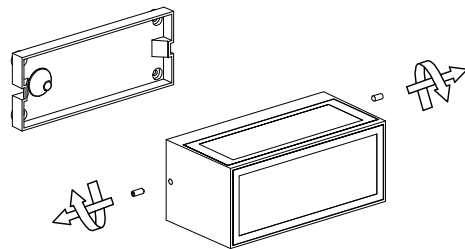
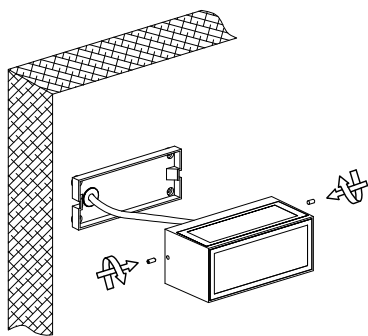


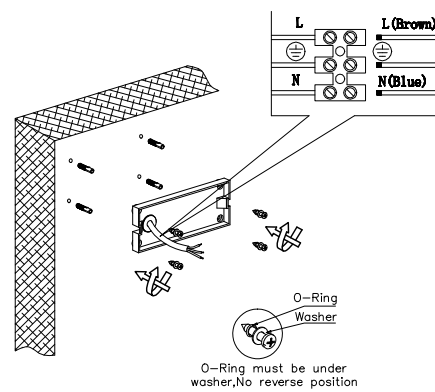
1. Turn off the general switch



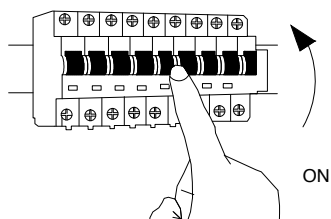
2. Untie side screws



3. Install cable & tie up side screws  
To make it stable



4. Apply screws & connect screws



5. Turn on the general switch

