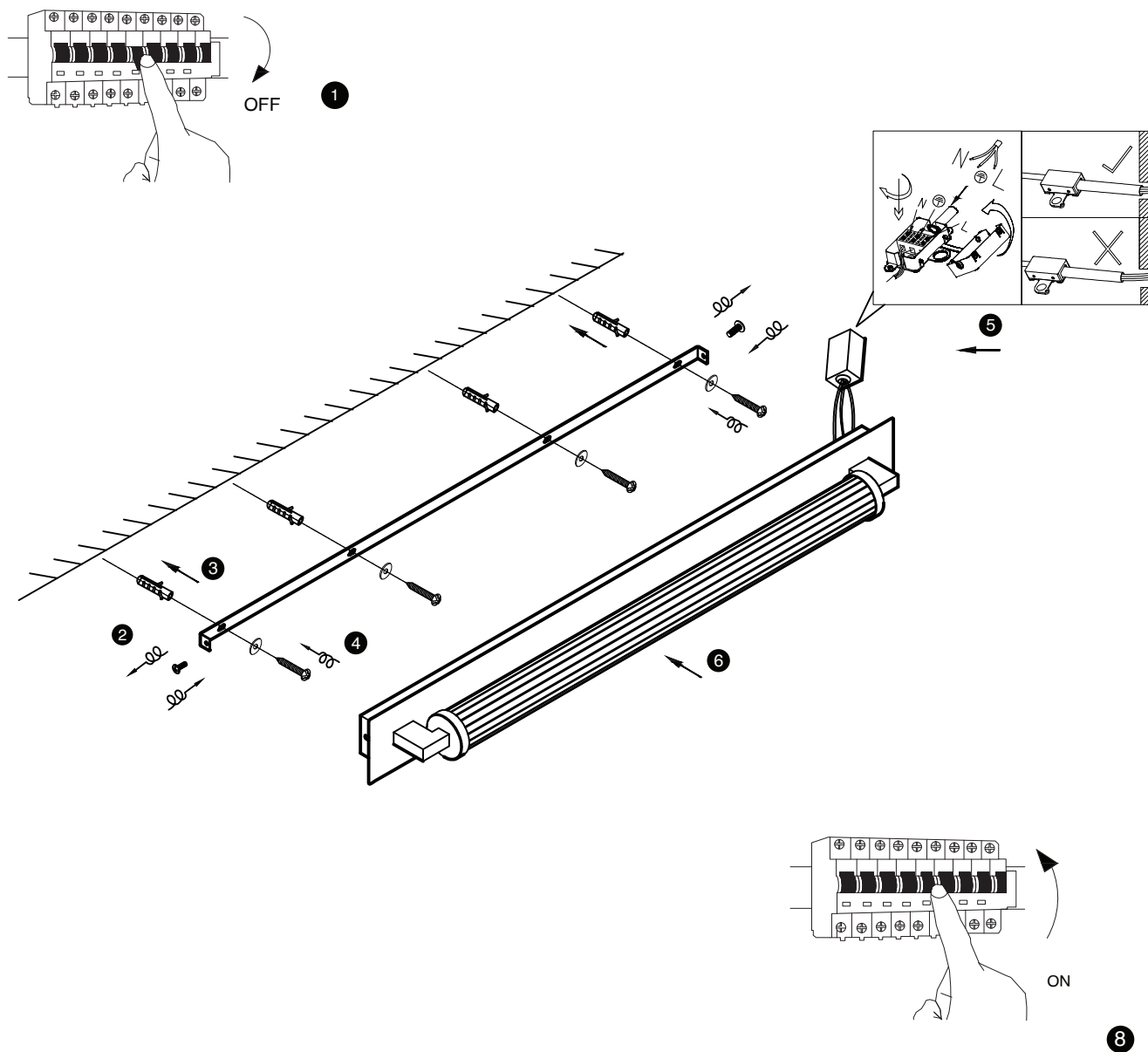


NOVA LUCE

9236298



1. Turn off the general switch
2. Apply side screws
3. Drill holes & Apply plastic anchors
4. Apply screws
5. Connect the wires
6. Place the product into place
7. Turn on the general switch

