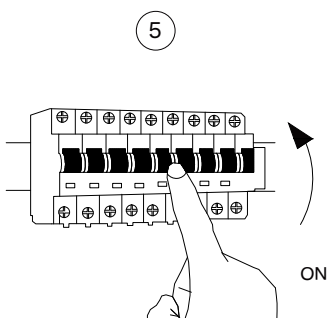
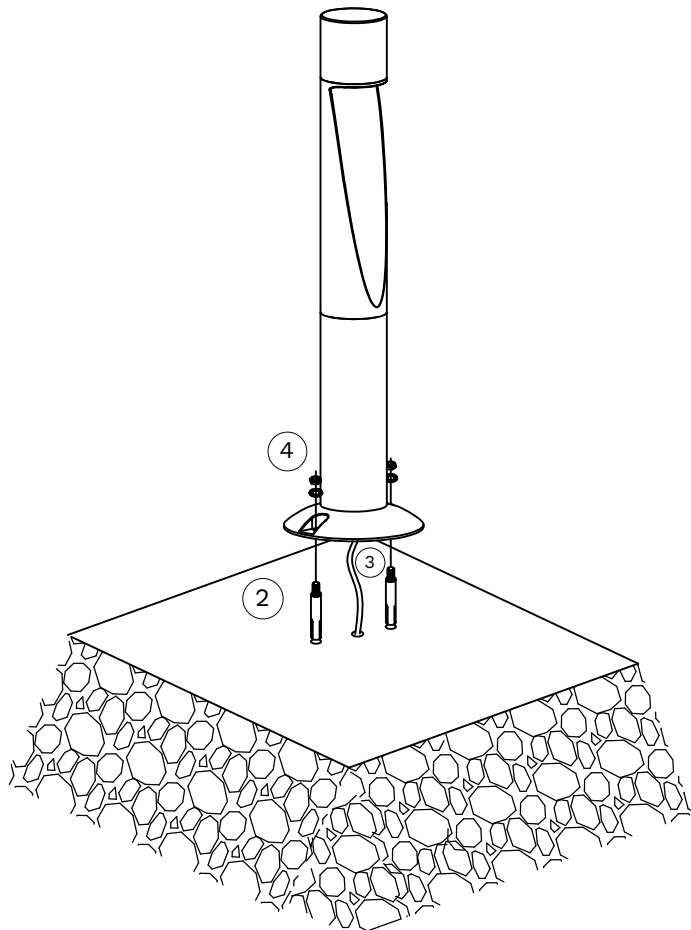


Turn off the general switch



Turn on the general switch



1. Turn off general switch
2. Drill holes & apply plastic anchors
3. Connect the wires
4. Tie up screws to fix it in place
5. Turn on the general switch

