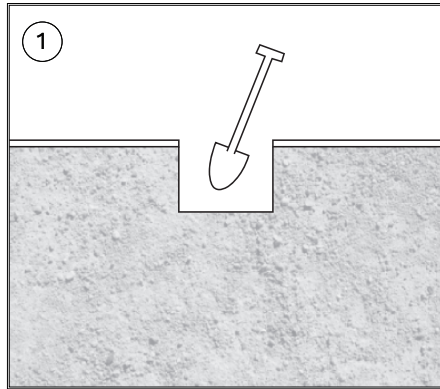


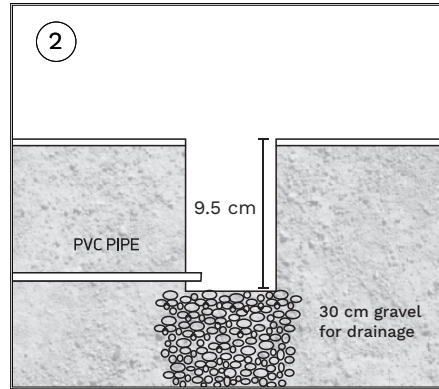
- A. The installation must be done by competent electricians.
- B. Please don't install the lighting in easily damaged, deformed, unsteady ceilings
- C. Make sure the power has been switched off before installation, bulb change or clearing the lamp
- D. Make sure there is no component loose



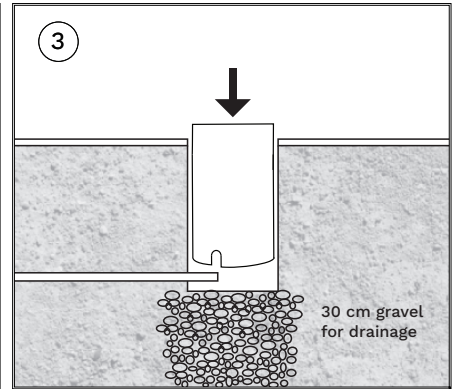
CONCRETE INSTALLATION



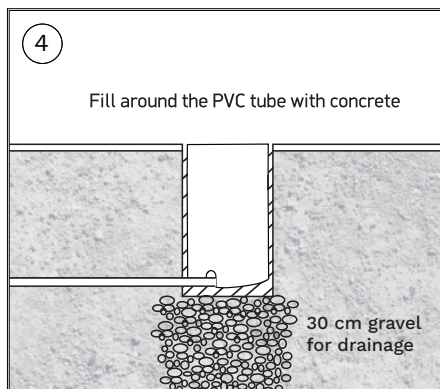
Make a hole



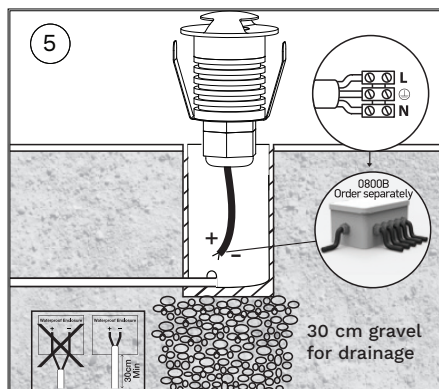
Prepare for installation by applying 30 cm layer of gravel for drainage



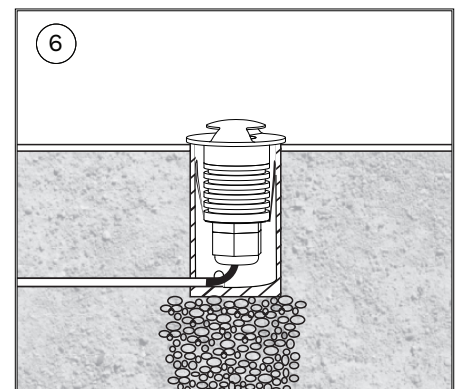
Install the PVC tuber into position



Fill around the PVC tube with concrete

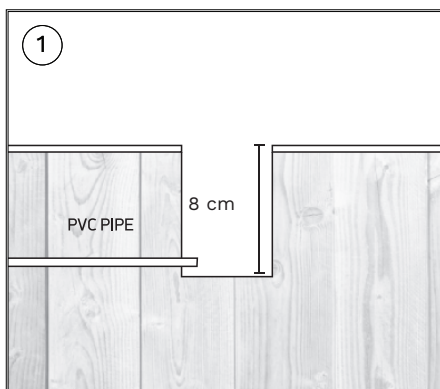


Connect wires

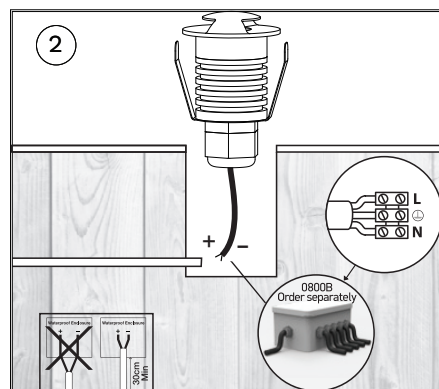


Fix it into place

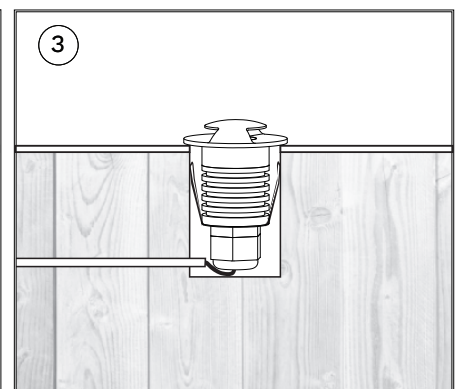
DECKING INSTALLATION



Create a CutOut



Connect wires



Fix it into place

